

**Human Machine Interface**  
**Console Range**  
**Compact | MPG**

IP 66 | TYPE 4, 12, 13 | IK 10 (single door); IP 55 | TYPE 12, 13 | IK 10 (double door)



**Material:**

Body and door: 1.5 mm mild steel. Rear panel: 1.5 mm mild steel.  
Bottom plates: 1.2 mm galvanized steel. Mounting plate: 2.5 mm galvanized steel.

**Body:**

Folded and seam welded. Console construction counts with a base that provides a distance between the floor and the lower part of the door/s acting as an integrated plinth.

**Doors and panels:**

Single folded surface mounted with hinges allowing left and right-hand opening to base door. Angle 12° from horizontal. Concealed hinges on top edge allow 90° opening. Panel held open by self engage/self release mechanical panel stay. Double door on 1200 and 1600 mm wide base units.

**Mounting plate:**

Standard mounting plate in base unit.

**Lock:**

Double-bit 3 mm locks for top panel. For base, two double-bit 3 mm locks. Other options available, see wall mounting section.

**Cable inlet:**

Bottom opening for cable access. Bottom plates for cable glanding supplied as standard.

**Earthing:**

M8 threaded studs on body, door, top panel and rear panel.

**Finish:**

RAL 7035 structured powder coating.

**Protection:**

Single door: IP 66 | TYPE 4, 12, 13 | IK 10.  
Double door: IP 55 | TYPE 12, 13 | IK 10.

**Delivery:**

Mounting plate and suitable nuts and washers for earthing. The console is delivered on a wooden pallet.



## Dimensional table | MPG

**IP 66 | TYPE 4, 12, 13 | IK 10 (single door); IP 55 | TYPE 12, 13 | IK 10 (double door)**

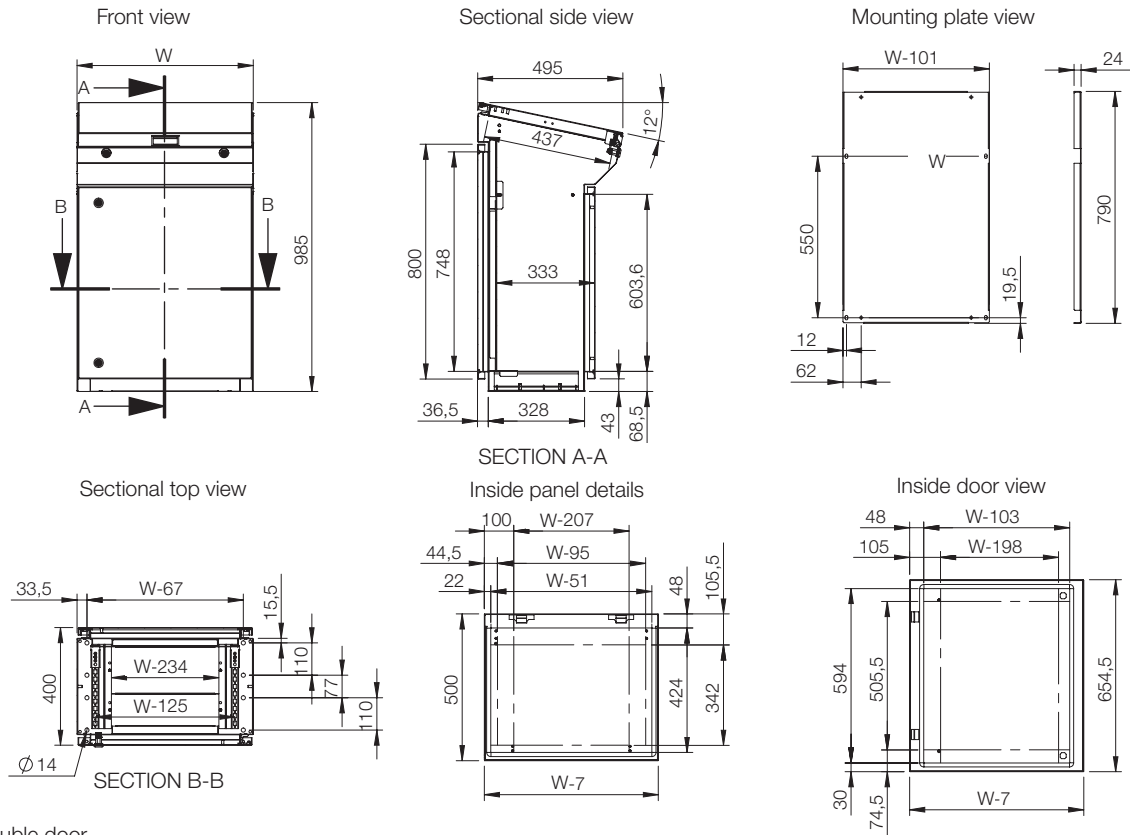
Mild steel

Enclosure dimensions			Mounting plate dimensions		Usable depth	Item no.
H	W	D	h	w	d	
985	600	400	790	499	333	MPG06R5
985	800	400	790	699	333	MPG08R5
985	1000	400	790	899	333	MPG10R5
985	1200	400	790	1099	333	MPG12R5
985	1600	400	790	1499	333	MPG16R5

*Note: Only 1200 mm and 1600 mm wide consoles have double door.*



Single door



Double door

