

**Wall Mounted Enclosures**  
**Steel Range | Mild Steel**  
Single door | MAS

IP 66 | TYPE 4, 12, 13 | IK 10



**Material:**

Body: 1.2 mm mild steel for enclosures with a depth of 155 mm / 1.4 mm for enclosures with a depth of 210 or 260 mm / 1.5 mm for enclosures with a depth of 300 or 400 mm, or if a height or width is 1000 mm or greater.

Gland plate: 1.4 mm mild steel.

Door: 1.2 mm mild steel / 1.5 mm for enclosures with a height or width of 500 mm or greater / 2 mm for enclosures with a height or width of 800 mm or greater.

Mounting plate: 2 mm galvanized steel.

**Body:**

Folded and seam welded. Four 8.5 mm diameter holes for wall fixing, pressed out in 20.4 mm diameter x 2 mm depressions to allow air circulation around the rear part of the enclosure.

**Door:**

Surface mounted with 130° opening. Concealed removable hinges with captive pin. Hinges can be mounted to allow left or right hand opening. From height 300 mm and above there are studs to mount door profiles MMDP and from height 600 mm and above the profiles are included as standard. Sealing is ensured by an injected one piece polyurethane gasket.

**Lock:**

Customised lock with double grip for easy opening of the door. Double-bit 3 mm insert and 90° movement. 1000 mm high enclosures and above have espagnolette three point locking. Other inserts are available as an accessory.

**Mounting plate:**

The mounting plate is marked vertically at 10 mm intervals for easy horizontal positioning of equipment. On the top and bottom there are holes to facilitate cable fixing. Fixed onto M8 press welded studs to the rear of the enclosure. All sides from 800 mm and above are strengthened by folded edges. By using the AMG accessory the mounting plate position can be adjusted to any depth.

**Gland Plate Opening:**

Situated at the far rear of the enclosure to make cabling onto the mounting plate easier.

**Protection:**

Complies with IP 66 | TYPE 4, 12, 13 | IK 10. For outdoor installation the use of a rain hood ARF and 100% polyester paint coating is recommended. The corrosion resistance must be taken into consideration.

**Finish:**

RAL 7035 structure powder coating.

**Delivery:**

Enclosure with door and two door mounting profiles, from size MAS0604015R5 and above. Gland plate(s) with gasket(s), plastic double-bit 3 mm key, and mounting accessories. MAS1006026R5 and above, come with a metallic key. Earthing facilities.



# Dimensional table | MAS

## IP 66 | TYPE 4, 12, 13 | IK 10

With mounting plate

Enclosure dimensions			Mounting plate dimensions		Usable depth	Gland plate			N° of locks	Item no.
H	W	D	h	w	d	Size	Type	Openings		
200	200	155	170	150	137	110x56	0S	1	1	MAS0202015R5
250	200	155	220	150	137	110x56	0S	1	1	MAS0252015R5
250	250	155	220	200	137	110x56	0S	1	1	MAS0252515R5
300	250	155	270	200	137	110x56	0S	1	1	MAS0302515R5
300	250	210	270	200	192	110x56	0S	1	1	MAS0302521R5
300	300	155	270	250	137	210x56	1S	1	1	MAS0303015R5
300	300	210	270	250	192	210x96	1	1	1	MAS0303021R5
350	250	155	320	200	137	110x56	0S	1	1	MAS0352515R5
400	300	155	370	250	137	210x56	1S	1	1	MAS0403015R5
400	300	210	370	250	192	210x96	1	1	1	MAS0403021R5
400	400	210	370	350	192	310x96	2	1	1	MAS0404021R5
400	500	210	370	450	192	410x96	3	1	1	MAS0405021R5
400	600	210	370	550	192	510x96	4	1	1	MAS0406021R5
500	300	210	470	250	192	210x96	1	1	1	MAS0503021R5
500	400	155	470	350	137	310x56	2S	1	1	MAS0504015R5
500	400	210	470	350	192	310x96	2	1	1	MAS0504021R5
500	400	260	470	350	242	310x96	2	1	1	MAS0504026R5
500	400	300	470	350	282	310x96	2	1	1	MAS0504030R5
500	500	210	470	450	192	410x96	3	1	1	MAS0505021R5
500	500	300	470	450	282	410x96	3	1	1	MAS0505030R5
600	400	155	570	350	137	310x56	2S	1	2	MAS0604015R5
600	400	210	570	350	192	310x96	2	1	2	MAS0604021R5
600	400	260	570	350	242	310x96	2	1	2	MAS0604026R5
600	400	300	570	350	282	310x96	2	1	2	MAS0604030R5
600	500	155	570	450	137	410x56	3S	1	2	MAS0605015R5
600	500	210	570	450	192	410x96	3	1	2	MAS0605021R5
600	500	260	570	450	242	410x96	3	1	2	MAS0605026R5
600	500	300	570	450	282	410x96	3	1	2	MAS0605030R5
600	600	210	570	550	192	510x96	4	1	2	MAS0606021R5
600	600	300	570	550	282	510x96	4	1	2	MAS0606030R5
600	600	400	570	550	382	510x96	4	1	2	MAS0606040R5
600	800	300	570	750	282	310x96	2	2	2	MAS0608030R5
700	500	210	670	450	192	410x96	3	1	2	MAS0705021R5
700	500	260	670	450	242	410x96	3	1	2	MAS0705026R5
800	400	300	770	350	282	310x96	2	1	2	MAS0804030R5
800	600	210	770	550	192	510x96	4	1	2	MAS0806021R5
800	600	260	770	550	242	510x96	4	1	2	MAS0806026R5
800	600	300	770	550	282	510x96	4	1	2	MAS0806030R5
800	600	400	770	550	382	510x96	4	1	2	MAS0806040R5
800	800	210	770	750	192	310x96	2	2	2	MAS0808021R5
800	800	300	770	750	282	310x96	2	2	2	MAS0808030R5
800	800	400	770	750	382	310x96	2	2	2	MAS0808040R5
1000	600	260	970	550	242	510x96	4	1	1*	MAS1006026R5
1000	600	300	970	550	282	510x96	4	1	1*	MAS1006030R5
1000	800	260	970	750	242	310x96	2	2	1*	MAS1008026R5
1000	800	300	970	750	282	310x96	2	2	1*	MAS1008030R5
1000	800	400	970	750	382	310x96	2	2	1*	MAS1008040R5
1200	600	300	1170	550	282	510x96	4	1	1*	MAS1206030R5
1200	800	300	1170	750	282	310x96	2	2	1*	MAS1208030R5
1200	800	400	1170	750	382	310x96	2	2	1*	MAS1208040R5

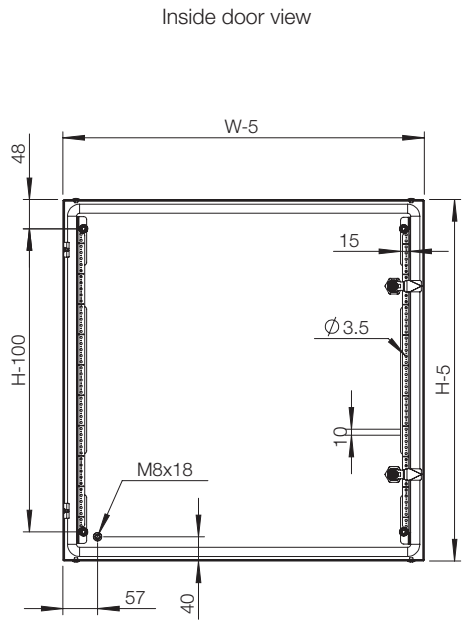
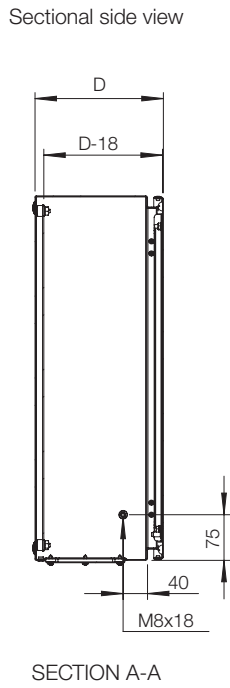
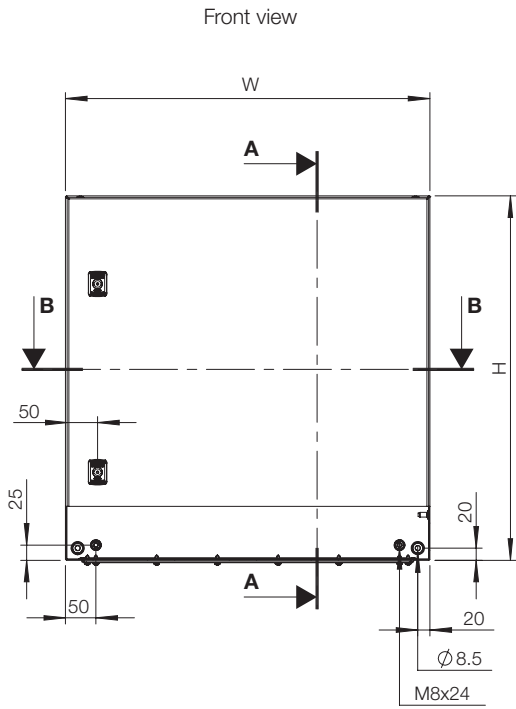


Without mounting plate

Enclosure dimensions			Gland plate			N° of locks	Item no.
H	W	D	Size	Type	Openings		
200	200	155	110x56	0S	1	1	MAS0202015PER5
250	200	155	110x56	0S	1	1	MAS0252015PER5
250	250	155	110x56	0S	1	1	MAS0252515PER5
300	250	155	110x56	0S	1	1	MAS0302515PER5
300	250	210	110x56	0S	1	1	MAS0302521PER5
300	300	155	210x56	1S	1	1	MAS0303015PER5
300	300	210	210x96	1	1	1	MAS0303021PER5
350	250	155	110x56	0S	1	1	MAS0352515PER5
400	300	155	210x56	1S	1	1	MAS0403015PER5
400	300	210	210x96	1	1	1	MAS0403021PER5
400	400	210	310x96	2	1	1	MAS0404021PER5
400	500	210	410x96	3	1	1	MAS0405021PER5
400	600	210	510x96	4	1	1	MAS0406021PER5
500	300	210	210x96	1	1	1	MAS0503021PER5
500	400	155	310x56	2S	1	1	MAS0504015PER5
500	400	210	310x96	2	1	1	MAS0504021PER5
500	400	260	310x96	2	1	1	MAS0504026PER5
500	400	300	310x96	2	1	1	MAS0504030PER5
500	500	210	410x96	3	1	1	MAS0505021PER5
500	500	300	410x96	3	1	1	MAS0505030PER5
600	400	155	310x56	2S	1	2	MAS0604015PER5
600	400	210	310x96	2	1	2	MAS0604021PER5
600	400	260	310x96	2	1	2	MAS0604026PER5
600	400	300	310x96	2	1	2	MAS0604030PER5
600	500	155	410x56	3S	1	2	MAS0605015PER5
600	500	210	410x96	3	1	2	MAS0605021PER5
600	500	260	410x96	3	1	2	MAS0605026PER5
600	500	300	410x96	3	1	2	MAS0605030PER5
600	600	210	510x96	4	1	2	MAS0606021PER5
600	600	300	510x96	4	1	2	MAS0606030PER5
600	600	400	510x96	4	1	2	MAS0606040PER5
600	800	300	310x96	2	2	2	MAS0608030PER5
700	500	210	410x96	3	1	2	MAS0705021PER5
700	500	260	410x96	3	1	2	MAS0705026PER5
800	400	300	310x96	2	1	2	MAS0804030PER5
800	600	210	510x96	4	1	2	MAS0806021PER5
800	600	260	510x96	4	1	2	MAS0806026PER5
800	600	300	510x96	4	1	2	MAS0806030PER5
800	600	400	510x96	4	1	2	MAS0806040PER5
800	800	210	310x96	2	2	2	MAS0808021PER5
800	800	300	310x96	2	2	2	MAS0808030PER5
800	800	400	310x96	2	2	2	MAS0808040PER5
1000	600	260	510x96	4	1	1*	MAS1006026PER5
1000	600	300	510x96	4	1	1*	MAS1006030PER5
1000	800	260	310x96	2	2	1*	MAS1008026PER5
1000	800	300	310x96	2	2	1*	MAS1008030PER5
1000	800	400	310x96	2	2	1*	MAS1008040PER5
1200	600	300	510x96	4	1	1*	MAS1206030PER5
1200	800	300	310x96	2	2	1*	MAS1208030PER5
1200	800	400	310x96	2	2	1*	MAS1208040PER5

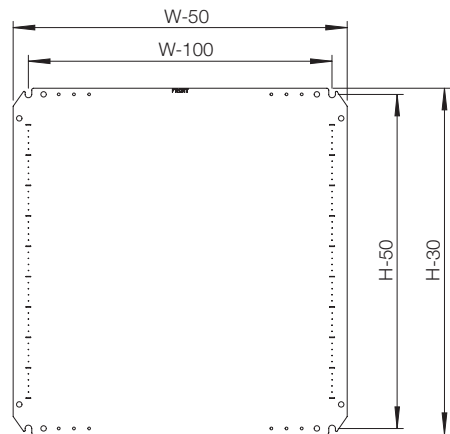
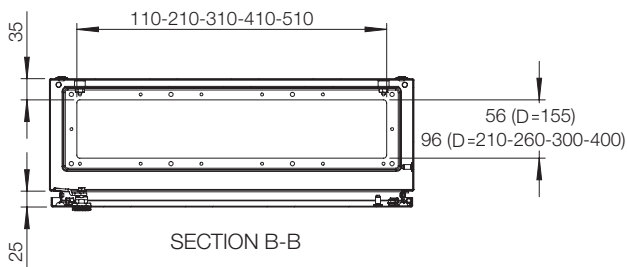
\* 3 point espagnolette locking.

# Dimensional drawing | MAS



Sectional top view

Mounting plate view



# Accessories selection matrix I MAS

# 02

## Wall Mounted Enclosures



Enclosure				Mounting				
	H	W	D	Steel mounting plate	Insulated mounting plate	Telequick mounting plate	Depth adjustment kit	Modular chassis
MAS0202015R5	200	200	155	AMP02020	AMI02020	-	AMG155	-
MAS0252015R5	250	200	155	AMP02520	AMI02520	-	AMG155	-
MAS0252515R5	250	250	155	AMP02525	AMI02525	-	AMG155	-
MAS0302515R5	300	250	155	AMP03025	AMI03025	-	AMG155	AC03025R5
MAS0302521R5	300	250	210	AMP03025	AMI03025	-	AMG210	AC03025R5
MAS0303015R5	300	300	155	AMP03030	AMI03030	-	AMG155	-
MAS0303021R5	350	300	210	AMP03030	AMI03030	-	AMG210	-
MAS0352515R5	350	250	155	AMP03525	AMI03525	-	AMG155	-
MAS0403015R5	400	300	155	AMP04030	AMI04030	AMT04030	AMG155	AC04030R5
MAS0403021R5	400	300	210	AMP04030	AMI04030	AMT04030	AMG210	AC04030R5
MAS0404021R5	400	400	210	AMP04040	AMI04040	AMT04040	AMG210	-
MAS0405021R5	400	500	210	AMP04050	AMI04050	AMT04050	AMG210	-
MAS0406021R5	400	600	210	AMP04060	AMI04060	AMT04060	AMG210	-
MAS0503021R5	500	300	210	AMP05030	AMI05030	AMT05030	AMG210	-
MAS0504015R5	500	400	155	AMP05040	AMI05040	AMT05040	AMG155	AC05040R5
MAS0504021R5	500	400	210	AMP05040	AMI05040	AMT05040	AMG210	AC05040R5
MAS0504026R5	500	400	260	AMP05040	AMI05040	AMT05040	AMG260	AC05040R5
MAS0504030R5	500	400	300	AMP05040	AMI05040	AMT05040	AMG300	AC05040R5
MAS0505021R5	500	500	210	AMP05050	AMI05050	AMT05050	AMG210	-
MAS0505030R5	500	500	300	AMP05050	AMI05050	AMT05050	AMG300	-
MAS0604015R5	600	400	155	AMP06040	AMI06040	AMT06040	AMG155	AC06040R5
MAS0604021R5	600	400	210	AMP06040	AMI06040	AMT06040	AMG210	AC06040R5
MAS0604026R5	600	400	260	AMP06040	AMI06040	AMT06040	AMG260	AC06040R5
MAS0604030R5	600	400	300	AMP06040	AMI06040	AMT06040	AMG300	AC06040R5
MAS0605015R5	600	500	155	AMP06050	AMI06050	AMT06050	AMG155	-
MAS0605021R5	600	500	210	AMP06050	AMI06050	AMT06050	AMG210	-
MAS0605026R5	600	500	260	AMP06050	AMI06050	AMT06050	AMG260	-
MAS0605030R5	600	500	300	AMP06050	AMI06050	AMT06050	AMG300	-
MAS0606021R5	600	600	210	AMP06060	AMI06060	AMT06060	AMG210	AC06060R5
MAS0606030R5	600	600	300	AMP06060	AMI06060	AMT06060	AMG300	AC06060R5
MAS0606040R5	600	600	400	AMP06060	AMI06060	AMT06060	AMG400	AC06060R5
MAS0608030R5	600	800	300	AMP06080	AMI06080	AMT06080	AMG300	-
MAS0705021R5	700	500	210	AMP07050	AMI07050	AMT07050	AMG210	AC07050R5
MAS0705026R5	700	500	260	AMP07050	AMI07050	AMT07050	AMG260	AC07050R5
MAS0804030R5	800	400	300	AMP08040	AMI08040	AMT08040	AMG300	-
MAS0806021R5	800	600	210	AMP08060	AMI08060	AMT08060	AMG210	AC08060R5
MAS0806026R5	800	600	260	AMP08060	AMI08060	AMT08060	AMG260	AC08060R5
MAS0806030R5	800	600	300	AMP08060	AMI08060	AMT08060	AMG300	AC08060R5
MAS0806040R5	800	600	400	AMP08060	AMI08060	AMT08060	AMG400	AC08060R5
MAS0808021R5	800	800	210	AMP08080	AMI08080	AMT08080	AMG210	-
MAS0808030R5	800	800	300	AMP08080	AMI08080	AMT08080	AMG300	-
MAS0808040R5	800	800	400	AMP08080	AMI08080	AMT08080	AMG400	-
MAS1006026R5	1000	600	260	AMP10060	AMI10060	AMT10060	AMG260	AC10060R5
MAS1006030R5	1000	600	300	AMP10060	AMI10060	AMT10060	AMG300	AC10060R5
MAS1008026R5	1000	800	260	AMP10080	AMI10080	AMT10080	AMG260	AC10080R5
MAS1008030R5	1000	800	300	AMP10080	AMI10080	AMT10080	AMG300	AC10080R5
MAS1008040R5	1000	800	400	AMP10080	AMI10080	AMT10080	AMG400	AC10080R5
MAS1206030R5	1200	600	300	AMP12060	AMI12060	AMT12060	AMG300	-
MAS1208030R5	1200	800	300	AMP12080	AMI12080	AMT12080	AMG300	-
MAS1208040R5	1200	800	400	AMP12080	AMI12080	AMT12080	AMG400	-



# Accessories selection matrix I MAS



Enclosure	Fixing								
	H	W	D	Wall mounting brackets	Pole fixation	Front/rear plinths (100 mm height)	Side plinths (100 mm height)	Front/rear plinths (200 mm height)	Side plinths (200 mm height)
MAS0202015R5	200	200	155	AW41	-	-	-	-	-
MAS0252015R5	250	200	155	AW41	-	-	-	-	-
MAS0252515R5	250	250	155	AW41	-	-	-	-	-
MAS0302515R5	300	250	155	AW41	-	-	-	-	-
MAS0302521R5	300	250	210	AW41	-	-	-	-	-
MAS0303015R5	300	300	155	AW41	EPF0300	-	-	-	-
MAS0303021R5	350	300	210	AW41	EPF0300	-	-	-	-
MAS0352515R5	350	250	155	AW41	-	-	-	-	-
MAS0403015R5	400	300	155	AW41	EPF0300	-	-	-	-
MAS0403021R5	400	300	210	AW41	EPF0300	-	-	-	-
MAS0404021R5	400	400	210	AW41	EPF0400	-	-	-	-
MAS0405021R5	400	500	210	AW41	EPF0500	-	-	-	-
MAS0406021R5	400	600	210	AW41	EPF0600	-	-	-	-
MAS0503021R5	500	300	210	AW41	EPF0300	-	-	-	-
MAS0504015R5	500	400	155	AW41	EPF0400	-	-	-	-
MAS0504021R5	500	400	210	AW41	EPF0400	-	-	-	-
MAS0504026R5	500	400	260	AW41	EPF0400	P1040	PA1026	P2040	PA2026
MAS0504030R5	500	400	300	AW41	EPF0400	P1040	PA1030	P2040	PA2030
MAS0505021R5	500	500	210	AW41	EPF0500	-	-	-	-
MAS0505030R5	500	500	300	AW41	EPF0500	P1050	PA1030	P2050	PA2030
MAS0604015R5	600	400	155	AW41	EPF0400	-	-	-	-
MAS0604021R5	600	400	210	AW41	EPF0400	-	-	-	-
MAS0604026R5	600	400	260	AW41	EPF0400	P1040	PA1026	P2040	PA2026
MAS0604030R5	600	400	300	AW41	EPF0400	P1040	PA1030	P2040	PA2030
MAS0605015R5	600	500	155	AW41	EPF0500	-	-	-	-
MAS0605021R5	600	500	210	AW41	EPF0500	-	-	-	-
MAS0605026R5	600	500	260	AW41	EPF0500	P1050	PA1026	P2050	PA2026
MAS0605030R5	600	500	300	AW41	EPF0500	P1050	PA1030	P2050	PA2030
MAS0606021R5	600	600	210	AW41	EPF0600	-	-	-	-
MAS0606030R5	600	600	300	AW41	EPF0600	P1060	PA1030	P2060	PA2030
MAS0606040R5	600	600	400	AW41	EPF0600	P1060	PA1040	P2060	PA2040
MAS0608030R5	600	800	300	AW41	EPF0800	P1080	PA1030	P2080	PA2030
MAS0705021R5	700	500	210	AW41	EPF0500	-	-	-	-
MAS0705026R5	700	500	260	AW41	EPF0500	P1050	PA1026	P2050	PA2026
MAS0804030R5	800	400	300	AW41	EPF0400	P1040	PA1030	P2040	PA2030
MAS0806021R5	800	600	210	AW41	EPF0600	-	-	-	-
MAS0806026R5	800	600	260	AW41	EPF0600	P1060	PA1026	P2060	PA2026
MAS0806030R5	800	600	300	AW41	EPF0600	P1060	PA1030	P2060	PA2030
MAS0806040R5	800	600	400	AW41	EPF0600	P1060	PA1040	P2060	PA2040
MAS0808021R5	800	800	210	AW41	EPF0800	-	-	-	-
MAS0808030R5	800	800	300	AW41	EPF0800	P1080	PA1030	P2080	PA2030
MAS0808040R5	800	800	400	AW41	EPF0800	P1080	PA1040	P2080	PA2040
MAS1006026R5	1000	600	260	AW41	EPF0600	P1060	PA1026	P2060	PA2026
MAS1006030R5	1000	600	300	AW41	EPF0600	P1060	PA1030	P2060	PA2030
MAS1008026R5	1000	800	260	AW41	EPF0800	P1080	PA1026	P2080	PA2026
MAS1008030R5	1000	800	300	AW41	EPF0800	P1080	PA1030	P2080	PA2030
MAS1008040R5	1000	800	400	AW41	EPF0800	P1080	PA1040	P2080	PA2040
MAS1206030R5	1200	600	300	AW41	EPF0600	P1060	PA1030	P2060	PA2030
MAS1208030R5	1200	800	300	AW41	EPF0800	P1080	PA1030	P2080	PA2030
MAS1208040R5	1200	800	400	AW41	EPF0800	P1080	PA1040	P2080	PA2040

# Accessories selection matrix I MAS

# 02

## Wall Mounted Enclosures



Enclosure				Doors				
	H	W	D	Inner door	Transparent door	Glazed door	Glazed aluminium door	Padlocking
MAS0202015R5	200	200	155	-	-	-	-	PLC01
MAS0252015R5	250	200	155	-	-	-	-	PLC01
MAS0252515R5	250	250	155	-	-	-	-	PLC01
MAS0302515R5	300	250	155	-	ADC03025R5	ADT03025R5	-	PLC01
MAS0302521R5	300	250	210	-	ADC03025R5	ADT03025R5	-	PLC01
MAS0303015R5	300	300	155	-	ADC03030R5	ADT03030R5	ADA03030	PLC01
MAS0303021R5	350	300	210	-	ADC03030R5	ADT03030R5	ADA03030	PLC01
MAS0352515R5	350	250	155	-	-	-	-	PLC01
MAS0403015R5	400	300	155	ADI04030R5	ADC04030R5	ADT04030R5	ADA04030	PLC01
MAS0403021R5	400	300	210	ADI04030R5	ADC04030R5	ADT04030R5	ADA04030	PLC01
MAS0404021R5	400	400	210	ADI04040R5	ADC04040R5	ADT04040R5	ADA04040	PLC01
MAS0405021R5	400	500	210	ADI04050R5	-	-	-	PLC01
MAS0406021R5	400	600	210	ADI04060R5	-	-	ADA04060	PLC01
MAS0503021R5	500	300	210	ADI05030R5	ADC05030R5	ADT05030R5	ADA05030	PLC01
MAS0504015R5	500	400	155	ADI05040R5	ADC05040R5	ADT05040R5	ADA05040	PLC01
MAS0504021R5	500	400	210	ADI05040R5	ADC05040R5	ADT05040R5	ADA05040	PLC01
MAS0504026R5	500	400	260	ADI05040R5	ADC05040R5	ADT05040R5	ADA05040	PLC01
MAS0504030R5	500	400	300	ADI05040R5	ADC05040R5	ADT05040R5	ADA05040	PLC01
MAS0505021R5	500	500	210	ADI05050R5	-	-	-	PLC01
MAS0505030R5	500	500	300	ADI05050R5	-	-	-	PLC01
MAS0604015R5	600	400	155	ADI06040R5	ADC06040R5	ADT06040R5	ADAB06040	PLC01
MAS0604021R5	600	400	210	ADI06040R5	ADC06040R5	ADT06040R5	ADAB06040	PLC01
MAS0604026R5	600	400	260	ADI06040R5	ADC06040R5	ADT06040R5	ADAB06040	PLC01
MAS0604030R5	600	400	300	ADI06040R5	ADC06040R5	ADT06040R5	ADAB06040	PLC01
MAS0605015R5	600	500	155	ADI06050R5	ADC06050R5	ADT06050R5	-	PLC01
MAS0605021R5	600	500	210	ADI06050R5	ADC06050R5	ADT06050R5	-	PLC01
MAS0605026R5	600	500	260	ADI06050R5	ADC06050R5	ADT06050R5	-	PLC01
MAS0605030R5	600	500	300	ADI06050R5	ADC06050R5	ADT06050R5	-	PLC01
MAS0606021R5	600	600	210	ADI06060R5	ADC06060R5	ADT06060R5	ADAB06060	PLC01
MAS0606030R5	600	600	300	ADI06060R5	ADC06060R5	ADT06060R5	ADAB06060	PLC01
MAS0606040R5	600	600	400	ADI06060R5	ADC06060R5	ADT06060R5	ADAB06060	PLC01
MAS0608030R5	600	800	300	ADI06080R5	-	-	ADAB06080	PLC01
MAS0705021R5	700	500	210	ADI07050R5	ADC07050R5	ADT07050R5	ADAB07050	PLC01
MAS0705026R5	700	500	260	ADI07050R5	ADC07050R5	ADT07050R5	ADAB07050	PLC01
MAS0804030R5	800	400	300	ADI08040R5	-	-	-	PLC01
MAS0806021R5	800	600	210	ADI08060R5	ADC08060R5	ADT08060R5	ADAB08060	PLC01
MAS0806026R5	800	600	260	ADI08060R5	ADC08060R5	ADT08060R5	ADAB08060	PLC01
MAS0806030R5	800	600	300	ADI08060R5	ADC08060R5	ADT08060R5	ADAB08060	PLC01
MAS0806040R5	800	600	400	ADI08060R5	ADC08060R5	ADT08060R5	ADAB08060	PLC01
MAS0808021R5	800	800	210	ADI08080R5	-	-	-	PLC01
MAS0808030R5	800	800	300	ADI08080R5	-	-	-	PLC01
MAS0808040R5	800	800	400	ADI08080R5	-	-	-	PLC01
MAS1006026R5	1000	600	260	ADH10060R5	ADC10060R5	ADT10060R5	-	PLC01
MAS1006030R5	1000	600	300	ADH10060R5	ADC10060R5	ADT10060R5	-	PLC01
MAS1008026R5	1000	800	260	ADH10080R5	ADC10080R5	ADT10080R5	ADAB10080	PLC01
MAS1008030R5	1000	800	300	ADH10080R5	ADC10080R5	ADT10080R5	ADAB10080	PLC01
MAS1008040R5	1000	800	400	ADH10080R5	ADC10080R5	ADT10080R5	ADAB10080	PLC01
MAS1206030R5	1200	600	300	ADH12060R5	ADC12060R5	ADT12060R5	ADAB12060	PLC01
MAS1208030R5	1200	800	300	ADH12080R5	ADC12080R5	ADT12080R5	ADAB12080	PLC01
MAS1208040R5	1200	800	400	ADH12080R5	ADC12080R5	ADT12080R5	ADAB12080	PLC01





# Accessories selection matrix I MAS

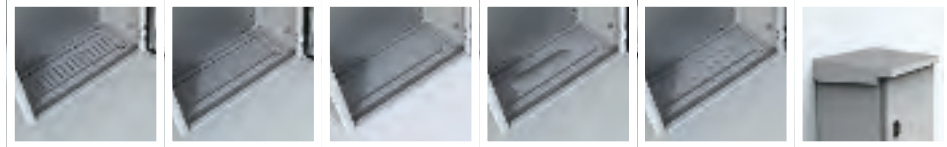


Enclosure	Doors							
	H	W	D	180° hinges	Door stop	Door switch	Door mounting profiles	Door horizontal profiles
MAS0202015R5	200	200	155	MMH02	ADO202	ADSW01	-	-
MAS0252015R5	250	200	155	MMH02	ADO202	ADSW01	-	-
MAS0252515R5	250	250	155	MMH02	ADO202	ADSW01	-	-
MAS0302515R5	300	250	155	MMH02	ADO202	ADSW01	-	-
MAS0302521R5	300	250	210	MMH02	ADO202	ADSW01	-	-
MAS0303015R5	300	300	155	MMH02	ADO202	ADSW01	-	DHP030
MAS0303021R5	350	300	210	MMH02	ADO202	ADSW01	-	DHP030
MAS0352515R5	350	250	155	MMH02	ADO202	ADSW01	-	-
MAS0403015R5	400	300	155	MMH02	ADO202	ADSW01	MMDP040	DHP030
MAS0403021R5	400	300	210	MMH02	ADO202	ADSW01	MMDP040	DHP030
MAS0404021R5	400	400	210	MMH02	ADO202	ADSW01	MMDP040	DHP040
MAS0405021R5	400	500	210	MMH02	ADO202	ADSW01	MMDP040	DHP050
MAS0406021R5	400	600	210	MMH02	ADO202	ADSW01	MMDP040	DHP060
MAS0503021R5	500	300	210	MMH02	ADO202	ADSW01	MMDP050	DHP030
MAS0504015R5	500	400	155	MMH02	ADO202	ADSW01	MMDP050	DHP040
MAS0504021R5	500	400	210	MMH02	ADO202	ADSW01	MMDP050	DHP040
MAS0504026R5	500	400	260	MMH02	ADO202	ADSW01	MMDP050	DHP040
MAS0504030R5	500	400	300	MMH02	ADO202	ADSW01	MMDP050	DHP040
MAS0505021R5	500	500	210	MMH02	ADO202	ADSW01	MMDP050	DHP050
MAS0505030R5	500	500	300	MMH02	ADO202	ADSW01	MMDP050	DHP050
MAS0604015R5	600	400	155	MMH02	ADO202	ADSW01	MMDP060	DHP040
MAS0604021R5	600	400	210	MMH02	ADO202	ADSW01	MMDP060	DHP040
MAS0604026R5	600	400	260	MMH02	ADO202	ADSW01	MMDP060	DHP040
MAS0604030R5	600	400	300	MMH02	ADO202	ADSW01	MMDP060	DHP040
MAS0605015R5	600	500	155	MMH02	ADO202	ADSW01	MMDP060	DHP050
MAS0605021R5	600	500	210	MMH02	ADO202	ADSW01	MMDP060	DHP050
MAS0605026R5	600	500	260	MMH02	ADO202	ADSW01	MMDP060	DHP050
MAS0605030R5	600	500	300	MMH02	ADO202	ADSW01	MMDP060	DHP050
MAS0606021R5	600	600	210	MMH02	ADO202	ADSW01	MMDP060	DHP060
MAS0606030R5	600	600	300	MMH02	ADO202	ADSW01	MMDP060	DHP060
MAS0606040R5	600	600	400	MMH02	ADO202	ADSW01	MMDP060	DHP060
MAS0608030R5	600	800	300	MMH02	ADO202	ADSW01	MMDP060	-
MAS0705021R5	700	500	210	MMH02	ADO202	ADSW01	MMDP070	DHP050
MAS0705026R5	700	500	260	MMH02	ADO202	ADSW01	MMDP070	DHP050
MAS0804030R5	800	400	300	MMH02	ADO202	ADSW01	MMDP080	DHP040
MAS0806021R5	800	600	210	MMH02	ADO202	ADSW01	MMDP080	DHP060
MAS0806026R5	800	600	260	MMH02	ADO202	ADSW01	MMDP080	DHP060
MAS0806030R5	800	600	300	MMH02	ADO202	ADSW01	MMDP080	DHP060
MAS0806040R5	800	600	400	MMH02	ADO202	ADSW01	MMDP080	DHP060
MAS0808021R5	800	800	210	MMH02	ADO202	ADSW01	MMDP080	DHP080
MAS0808030R5	800	800	300	MMH02	ADO202	ADSW01	MMDP080	DHP080
MAS0808040R5	800	800	400	MMH02	ADO202	ADSW01	MMDP080	DHP080
MAS1006026R5	1000	600	260	MMH03	ADO202	ADSW01	MMDP100	DHP060
MAS1006030R5	1000	600	300	MMH03	ADO202	ADSW01	MMDP100	DHP060
MAS1008026R5	1000	800	260	MMH03	ADO202	ADSW01	MMDP100	DHP080
MAS1008030R5	1000	800	300	MMH03	ADO202	ADSW01	MMDP100	DHP080
MAS1008040R5	1000	800	400	MMH03	ADO202	ADSW01	MMDP100	DHP080
MAS1206030R5	1200	600	300	MMH03	ADO202	ADSW01	MMDP120	DHP060
MAS1208030R5	1200	800	300	MMH03	ADO202	ADSW01	MMDP120	DHP080
MAS1208040R5	1200	800	400	MMH03	ADO202	ADSW01	MMDP120	DHP080

# Accessories selection matrix I MAS

# 02

## Wall Mounted Enclosures



Enclosure				Gland plates					Protection
	H	W	D	Ventilated gland plate	Ventilated gland plate with fly-net	Ventilated gland plate with filter	Adapter gland plate	Gland plate with knock-outs	Rainhood
MAS0202015R5	200	200	155	-	-	-	-	-	-
MAS0252015R5	250	200	155	-	-	-	-	-	-
MAS0252515R5	250	250	155	-	-	-	-	-	ARF02515R5
MAS0302515R5	300	250	155	-	-	-	-	-	ARF02515R5
MAS0302521R5	300	250	210	-	-	-	-	-	ARF02521R5
MAS0303015R5	300	300	155	-	-	-	-	AFK11SR5	ARF03015R5
MAS0303021R5	350	300	210	AFR01	AFG01	AFV01	AFA01	AFK11R5/AFK12R5	ARF03021R5
MAS0352515R5	350	250	155	-	-	-	-	-	ARF02515R5
MAS0403015R5	400	300	155	-	-	-	-	AFK11SR5	ARF03015R5
MAS0403021R5	400	300	210	AFR01	AFG01	AFV01	AFA01	AFK11R5/AFK12R5	ARF03021R5
MAS0404021R5	400	400	210	AFR02	AFG02	AFV02	AFA02	AFK21R5/AFK22R5	ARF04021R5
MAS0405021R5	400	500	210	AFR03	AFG03	AFV03	AFA03	AFK31R5/AFK32R5	ARF05021R5
MAS0406021R5	400	600	210	AFR04	AFG04	AFV04	AFA04	AFK41R5/AFK42R5	ARF06021R5
MAS0503021R5	500	300	210	AFR01	AFG01	AFV01	AFA01	AFK11R5/AFK12R5	ARF03021R5
MAS0504015R5	500	400	155	-	-	-	-	AFK21SR5	ARF04015R5
MAS0504021R5	500	400	210	AFR02	AFG02	AFV02	AFA02	AFK21R5/AFK22R5	ARF04021R5
MAS0504026R5	500	400	260	AFR02	AFG02	AFV02	AFA02	AFK21R5/AFK22R5	ARF04026R5
MAS0504030R5	500	400	300	AFR02	AFG02	AFV02	AFA02	AFK21R5/AFK22R5	ARF04030R5
MAS0505021R5	500	500	210	AFR03	AFG03	AFV03	AFA03	AFK31R5/AFK32R5	ARF05021R5
MAS0505030R5	500	500	300	AFR03	AFG03	AFV03	AFA03	AFK31R5/AFK32R5	ARF05030R5
MAS0604015R5	600	400	155	-	-	-	-	AFK21SR5	ARF04015R5
MAS0604021R5	600	400	210	AFR02	AFG02	AFV02	AFA02	AFK21R5/AFK22R5	ARF04021R5
MAS0604026R5	600	400	260	AFR02	AFG02	AFV02	AFA02	AFK21R5/AFK22R5	ARF04026R5
MAS0604030R5	600	400	300	AFR02	AFG02	AFV02	AFA02	AFK21R5/AFK22R5	ARF04030R5
MAS0605015R5	600	500	155	-	-	-	-	AFK31SR5	ARF05015R5
MAS0605021R5	600	500	210	AFR03	AFG03	AFV03	AFA03	AFK31R5/AFK32R5	ARF05021R5
MAS0605026R5	600	500	260	AFR03	AFG03	AFV03	AFA03	AFK31R5/AFK32R5	ARF05026R5
MAS0605030R5	600	500	300	AFR03	AFG03	AFV03	AFA03	AFK31R5/AFK32R5	ARF05030R5
MAS0606021R5	600	600	210	AFR04	AFG04	AFV04	AFA04	AFK41R5/AFK42R5	ARF06021R5
MAS0606030R5	600	600	300	AFR04	AFG04	AFV04	AFA04	AFK41R5/AFK42R5	ARF06030R5
MAS0606040R5	600	600	400	AFR04	AFG04	AFV04	AFA04	AFK41R5/AFK42R5	ARF06040R5
MAS0608030R5	600	800	300	AFR02	AFG02	AFV02	AFA02	AFK21R5/AFK22R5	ARF08030R5
MAS0705021R5	700	500	210	AFR03	AFG03	AFV03	AFA03	AFK31R5/AFK32R5	ARF05021R5
MAS0705026R5	700	500	260	AFR03	AFG03	AFV03	AFA03	AFK31R5/AFK32R5	ARF05026R5
MAS0804030R5	800	400	300	AFR02	AFG02	AFV02	AFA02	AFK21R5/AFK22R5	ARF04030R5
MAS0806021R5	800	600	210	AFR04	AFG04	AFV04	AFA04	AFK41R5/AFK42R5	ARF06021R5
MAS0806026R5	800	600	260	AFR04	AFG04	AFV04	AFA04	AFK41R5/AFK42R5	ARF06026R5
MAS0806030R5	800	600	300	AFR04	AFG04	AFV04	AFA04	AFK41R5/AFK42R5	ARF06030R5
MAS0806040R5	800	600	400	AFR04	AFG04	AFV04	AFA04	AFK41R5/AFK42R5	ARF06040R5
MAS0808021R5	800	800	210	AFR02	AFG02	AFV02	AFA02	AFK21R5/AFK22R5	ARF08021R5
MAS0808030R5	800	800	300	AFR02	AFG02	AFV02	AFA02	AFK21R5/AFK22R5	ARF08030R5
MAS0808040R5	800	800	400	AFR02	AFG02	AFV02	AFA02	AFK21R5/AFK22R5	ARF08040R5
MAS1006026R5	1000	600	260	AFR04	AFG04	AFV04	AFA04	AFK41R5/AFK42R5	ARF06026R5
MAS1006030R5	1000	600	300	AFR04	AFG04	AFV04	AFA04	AFK41R5/AFK42R5	ARF06030R5
MAS1008026R5	1000	800	260	AFR02	AFG02	AFV02	AFA02	AFK21R5/AFK22R5	ARF08026R5
MAS1008030R5	1000	800	300	AFR02	AFG02	AFV02	AFA02	AFK21R5/AFK22R5	ARF08030R5
MAS1008040R5	1000	800	400	AFR02	AFG02	AFV02	AFA02	AFK21R5/AFK22R5	ARF08040R5
MAS1206030R5	1200	600	300	AFR04	AFG04	AFV04	AFA04	AFK41R5/AFK42R5	ARF06030R5
MAS1208030R5	1200	800	300	AFR02	AFG02	AFV02	AFA02	AFK21R5/AFK22R5	ARF08030R5
MAS1208040R5	1200	800	400	AFR02	AFG02	AFV02	AFA02	AFK21R5/AFK22R5	ARF08040R5

