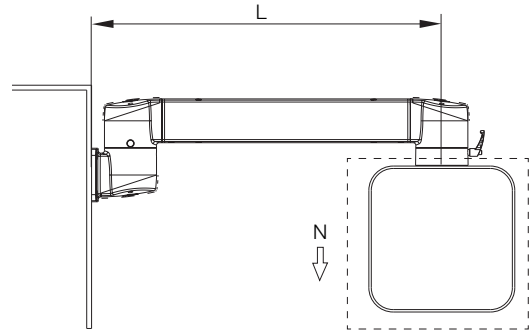
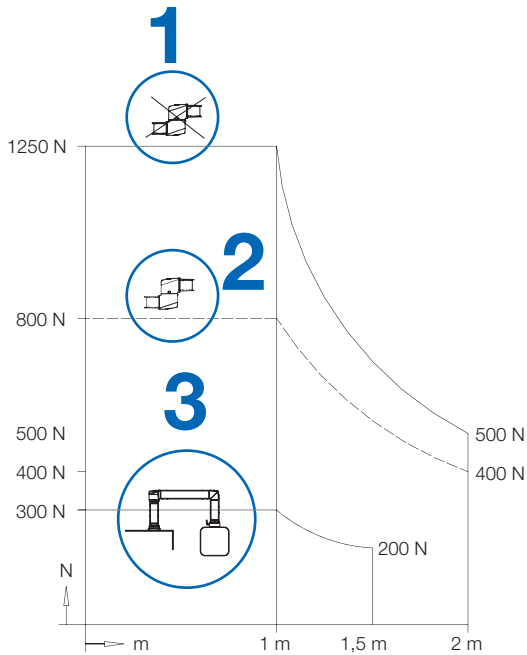


Human Machine Interface | Swing Arm System

Medium swing arm system | SASM





1. When SAIJ SM intermediate joint component is not used
2. When SAIJ SM intermediate joint component is used
3. When SABT SM or SABW SM, SAE SM and SAAE SM components are used.

The maximum weight which an SM swing arm can support depends on the length of the arm and the system structure.
Max. Weight (Kg) = 9.81



WALL SECTION



SABW SM



SABT SM



SASJ SM



SAWJV SM



SAWJH SM

INTERMEDIATE JOINTS



SAE SM



SAIJ SM



SAAE SM

COUPLING



SAC SM



SAEC SM

PROFILES



SAS SM

Human Machine Interface Swing Arm System

Accessories

Swing arm section profile SM, SAS SM

Description: Angled aluminium tubes (machined at both ends).
Material: Anodised Aluminium.
Weight: 5 Kg/m.
Finish: Silver (natural) anodized.
Delivery: 1 piece. Different lengths can be supplied on request.

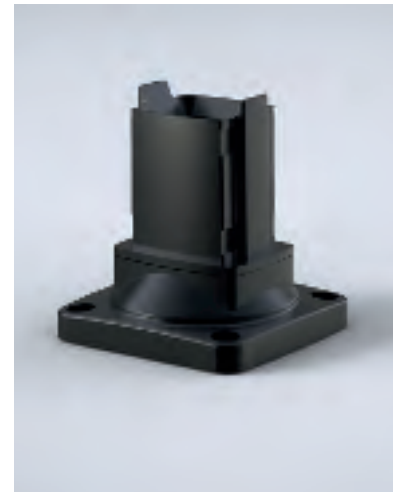
H	W	Length	Item no.
90	70	250	SAS025CSM
		500	SAS050CSM
		1000	SAS100CSM
		1500	SAS150CSM
		2000	SAS200CSM



Base or wall bracket SM, SABW SM

Description: Base or wall flange component for SM system.
Material: Die-cast aluminium.
Finish: RAL 7016 (anthracite grey).
Pack quantity: 1 piece, sealing gaskets and mounting accessories.

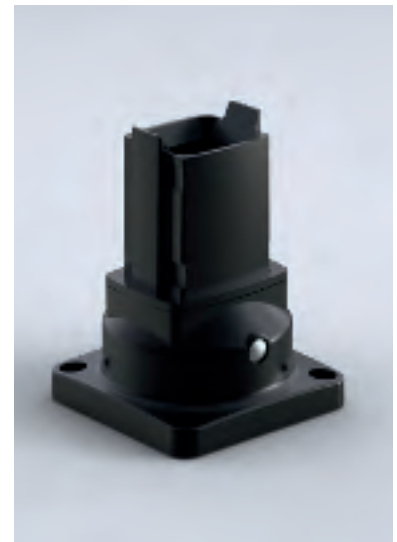
Item no.
SABW1SM



Rotary base or wall flange SM, SABT SM

Description: Rotary base or wall flange for SM system, angle of rotation 300° with stop. Rotation angle limiter is to be ordered as a separate product.
Material: Die-cast aluminium.
Finish: RAL 7016 (anthracite grey).
Delivery: 1 piece, sealing gaskets and mounting accessories.

Item no.
SABT1SM



Set-up joint SM, SASJ SM

Description:	Set-up joint component for SM system, angle of rotation 300° with stop. Rotation angle limiter is to be ordered as a separate product. Cable access with a plastic screw fitted cover.
Material:	Die-cast aluminium.
Finish:	RAL 7016 (anthracite grey).
Delivery:	1 piece, sealing gaskets and mounting accessories.

Item no.

SASJ1SM



Wall joint with vertical outlet SM, SAWJV SM

Description:	Wall joint with vertical outlet component for SM system, angle of rotation 300° with stop. Rotation angle limiter is to be ordered as a separate product. Cable access with a plastic screw fitted cover.
Material:	Die-cast aluminium.
Finish:	RAL 7016 (anthracite grey).
Delivery:	1 piece, sealing gaskets and mounting accessories.

Item no.

SAWJV1SM



4

Wall joint with horizontal outlet SM, SAWJH SM

Description:	Wall joint with horizontal outlet component for SM system, angle of rotation 300° with stop. Rotation angle limiter is to be ordered as a separate product. Cable access with a plastic screw fitted cover.
Material:	Die-cast aluminium.
Finish:	RAL 7016 (anthracite grey).
Delivery:	1 piece, sealing gaskets and mounting accessories.

Item no.

SAWJH1SM



Human Machine Interface Swing Arm System

Accessories

Elbow SM, SAE SM

Description: Elbow component for SM system.
Cable access with a plastic screw fitted cover.

Material: Die-cast aluminium.

Finish: RAL 7016 (anthracite grey).

Delivery: 1 piece, sealing gaskets and mounting accessories.

Item no.
SAE1SM



Rotary elbow SM, SAAE SM

Description: Rotary elbow component for SM system, angle of rotation 300° with stop. Rotation angle limiter is to be ordered as a separate product. Cable access with a plastic screw fitted cover.

Material: Die-cast aluminium.

Finish: RAL 7016 (anthracite grey).

Delivery: 1 piece, sealing gaskets and mounting accessories.

Item no.
SAAE1SM



Intermediate joint SM, SAIJ SM

Description: Intermediate joint component for SM system, angle of rotation 300° with stop. Rotation angle limiter is to be ordered as a separate product. Cable access with a plastic screw fitted cover.

Material: Die-cast aluminium.

Finish: RAL 7016 (anthracite grey).

Delivery: 1 piece, sealing gaskets and mounting accessories.

Item no.
SAIJ1SM



Coupling SM, SAC SM

- Description:** Coupling component for SM system, angle of rotation 300° with stop. Rotation angle limiter is to be ordered as a separate product.
- Material:** Die-cast aluminium.
- Finish:** RAL 7016 (anthracite grey).
- Delivery:** 1 piece, sealing gaskets and mounting accessories.

	Item no.
	SAC1SM



Elbow coupling SM, SAEC SM

- Description:** Elbow coupling component for SM system, angle of rotation 300° with stop. Rotation angle limiter is to be ordered as a separate product. Cable access with a plastic screw fitted cover.
- Material:** Die-cast aluminium.
- Finish:** RAL 7016 (anthracite grey).
- Delivery:** 1 piece, sealing gaskets and mounting accessories.

	Item no.
	SAEC1SM

