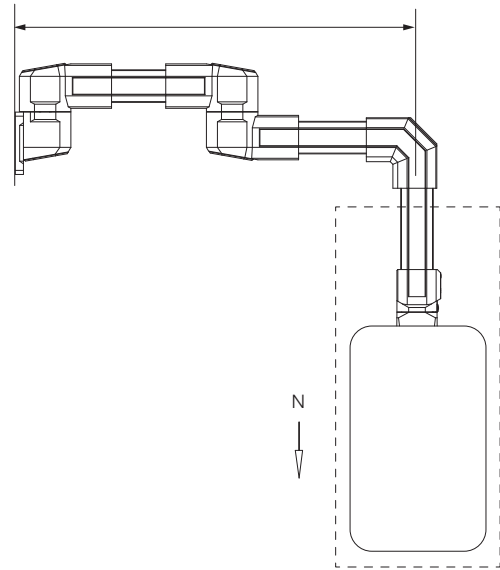
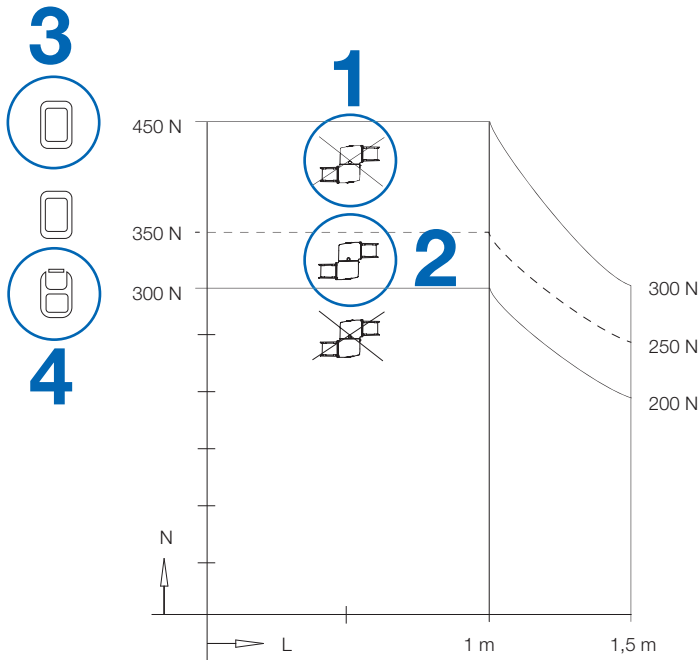


# Human Machine Interface | Swing Arm System

Light swing arm system | SASL





1. When SAIJ intermediate joint component is not used
2. When SAIJ intermediate joint component is used
3. When SAS closed profiles are used
4. When SAS open profiles are used

The maximum weight which an SL swing arm can support depends on the length of the arm and the system structure.  
Max. Weight (Kg) = 9.81



#### WALL SECTION



SABW



SABT



SASJ



SAWJV



SAWJH

#### INTERMEDIATE JOINTS



SAE



SARE



SAIJ



SAAE

#### COUPLING

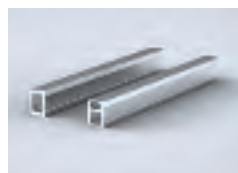


SAC



SAEC

#### PROFILES



SAS

# Human Machine Interface

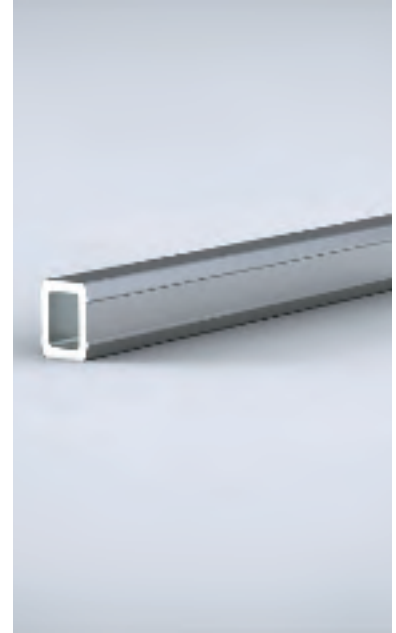
## Swing Arm System

### Accessories

## Swing arm section profile, SAS

- Description:** The arm section profile is available with an open cable duct or completely closed. In the open profile the plastic cover can be easily pulled out and fitted back into place.
- Material:** Extruded aluminium profile.  
Plastic cover in the open profile made from EPDM.
- Weight:** Closed profile 3.50 Kg/m. Open profile 3.76 Kg/m.
- Finish:** Anodised aluminium, similar to RAL 9006. Plastic cover in the open profile similar to RAL 7042.
- Delivery:** 1 piece.

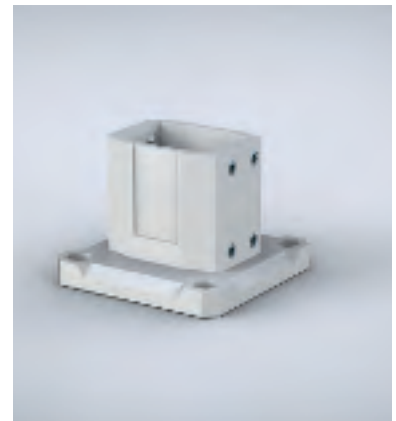
H	W	Length	Item no. Closed profile	Item no. Open profile
60	45	250	SAS025CSL	SAS025OSL
60	45	500	SAS050CSL	SAS050OSL
60	45	1000	SAS100CSL	SAS100OSL
60	45	2000	SAS200CSL	SAS200OSL



## Base or wall flange SL, SABW

- Description:** Base or wall flange component for SL system.
- Material:** Aluminium.
- Finish:** RAL 7035.
- Delivery:** 1 piece, sealing gaskets, and mounting accessories.

Item no.
SABW1SL



## Rotary base or wall flange SL, SABT

- Description:** Rotary base or wall flange for SL system, angle of rotation 300° with stop. Rotation angle limiter is to be ordered as a separate product.
- Material:** Aluminium.
- Finish:** RAL 7035.
- Delivery:** 1 piece, sealing gaskets, and mounting accessories.

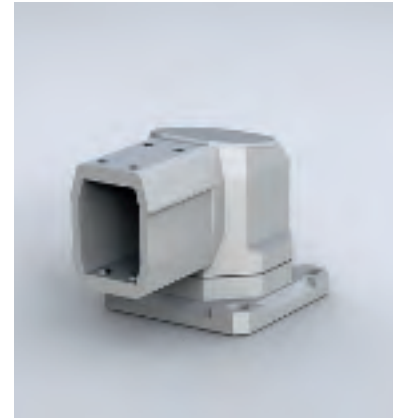
Item no.
SABT1SL



## Set-up joint SL, SASJ

- Description:** Set-up joint component for SL system, angle of rotation 300° with stop. Rotation angle limiter is to be ordered as a separate product. Cable access with a plastic click-in cover.
- Material:** Aluminium.
- Finish:** RAL 7035.
- Delivery:** 1 piece, sealing gaskets, and mounting accessories.

<b>Item no.</b>
SASJ1SL



## Wall joint with vertical outlet SL, SAWJV

- Description:** Wall joint with vertical outlet component for SL system, angle of rotation 300° with stop. Rotation angle limiter is to be ordered as a separate product. Cable access with a plastic click-in cover.
- Material:** Aluminium.
- Finish:** RAL 7035.
- Delivery:** 1 piece, sealing gaskets, and mounting accessories.

<b>Item no.</b>
SAWJV1SL



## Wall joint with horizontal outlet SL, SAWJH

- Description:** Wall joint with horizontal outlet component for SL system, angle of rotation 300° with stop. Rotation angle limiter is to be ordered as a separate product. Cable access with a plastic click-in cover.
- Material:** Aluminium.
- Finish:** RAL 7035.
- Delivery:** 1 piece, sealing gaskets, and mounting accessories.

<b>Item no.</b>
SAWJH1SL



# Human Machine Interface Swing Arm System

## Accessories

### Elbow SL, SAE

**Description:** Elbow component for SL system.  
Cable access with a plastic click-in cover.

**Material:** Aluminium.

**Finish:** RAL 7035.

**Delivery:** 1 piece, sealing gaskets, and mounting accessories.

Item no.
SAE1SL



### Reinforced elbow SL, SARE

**Description:** Elbow component for SL system, reinforced with additional screws and material. Cable access with a plastic click-in cover.

**Material:** Aluminium.

**Finish:** RAL 7035.

**Delivery:** 1 piece, sealing gaskets, and mounting accessories.

Item no.
SARE1SL



### Intermediate joint SL, SAIJ

**Description:** Intermediate joint component for SL system, angle of rotation 360° with stop. Rotation angle limiter is to be ordered as a separate product. Cable access with a plastic click-in cover.

**Material:** Aluminium.

**Finish:** RAL 7035.

**Delivery:** 1 piece, sealing gaskets, and mounting accessories.

Item no.
SAIJ1SL



## Rotary elbow SL, SAAE

- Description:** Rotary elbow component for SL system, angle of rotation 300° with stop. Rotation angle limiter is to be ordered as a separate product. Cable access with a plastic click-in cover.
- Material:** Aluminium.
- Finish:** RAL 7035.
- Delivery:** 1 piece, sealing gaskets, and mounting accessories.

<b>Item no.</b>
SAAE1SL



## Coupling SL, SAC

- Description:** Coupling component for SL system, angle of rotation 300° with stop. Rotation angle limiter is to be ordered as a separate product.
- Material:** Aluminium.
- Finish:** RAL 7035.
- Delivery:** 1 piece, sealing gaskets, and mounting accessories.

<b>Item no.</b>
SAC1SL



## Elbow coupling SL, SAEC

- Description:** Elbow coupling component for SL system, angle of rotation 300° with stop. Rotation angle limiter is to be ordered as a separate product. Cable access with a plastic click-in cover.
- Material:** Aluminium.
- Finish:** RAL 7035.
- Delivery:** 1 piece, sealing gaskets, and mounting accessories.

<b>Item no.</b>
SAEC1SL

