

Dimensional table | OICP

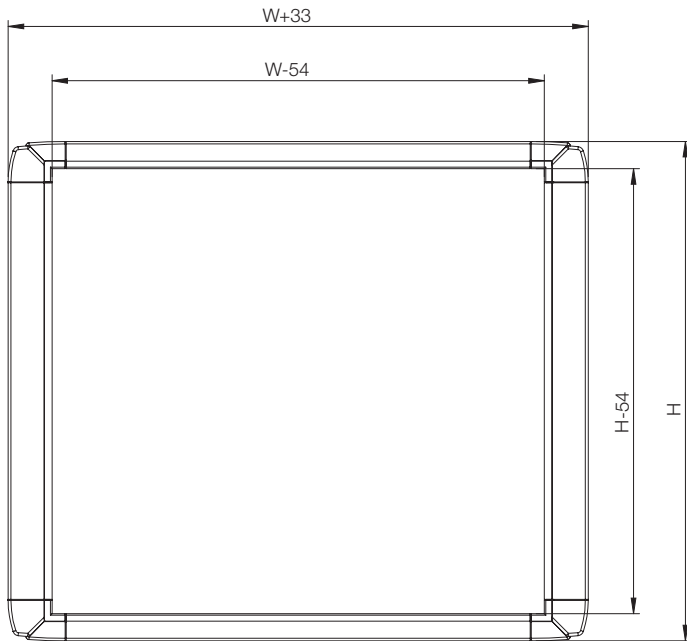
IP 65

H	W	D	Item no.
309	525	200	OICP305220
345	395	200	OICP343920
354	525	200	OICP355220
398	525	200	OICP395220
415	470	200	OICP414720
495	542	200	OICP495420

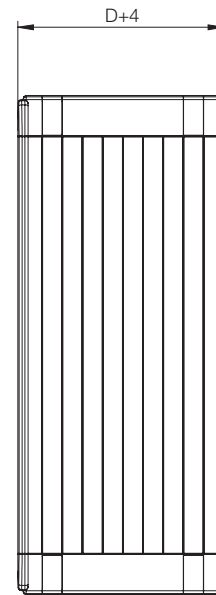
The external enclosure dimension is increased by 16,5 mm on the side where there is a grip profile.



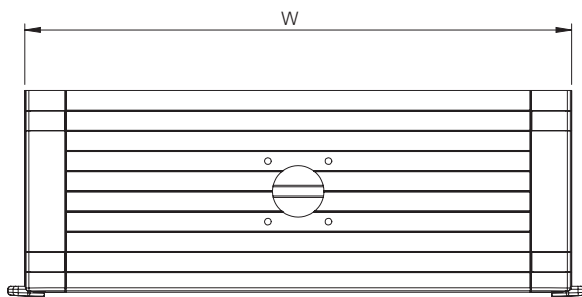
Front view



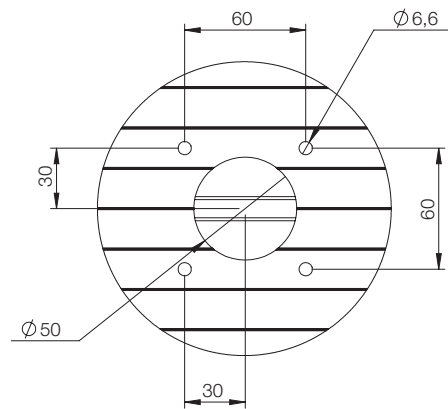
Side view



Top view



Detail view



Scale 1 : 3



Human Machine Interface Operating Housings

Accessories

OICP panel with door extension section, OIDES

- Description:** OICP panel with hinged door extension profile. It increases the OICP panel depth in 55 mm. It has grid profiles in the door extension profile sides.
- Material:** Body and door extension profile: Al Mg Si05. Rear plate: Al Mg. Corners: Al Si12.
- Protection:** Complies with IP 65.
- Finish:** Body, door extension profile and rear plate: anodised aluminium. Corners: RAL 7016.
- Pack quantity:** OICP panel with rear plate, door extension profile, external hinges, and locking system.

For enclosure			
H	W	D	Item no.
309	525	55+200	OIDES305205
345	395	55+200	OIDES343905
354	525	55+200	OIDES355205
398	525	55+200	OIDES395205
415	470	55+200	OIDES414705
495	542	55+200	OIDES495405



Front plate, OIFP

- Description:** Front plate for components, with a protection film in one side.
- Material:** 3 mm aluminium.
- Pack quantity:** 1 piece. Mounting accessories are supplied with the control panel OICP and OIDES.

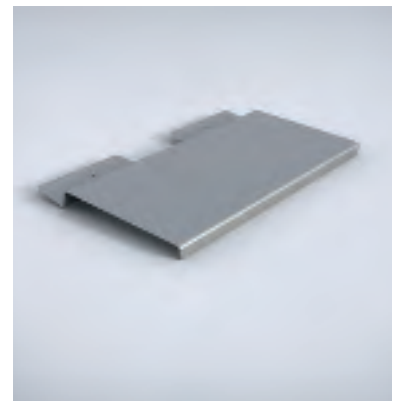
For enclosure				
H	W	h	w	Item no.
269	485	255	471	OIFP3052
305	355	291	341	OIFP3439
314	485	300	471	OIFP3552
358	485	344	471	OIFP3952
375	430	361	416	OIFP4147
455	502	441	488	OIFP4954



Keyboard support, OIKS

- Description:** Keyboard support to be fixed to the control panel. Machining is required.
- Material:** Mild steel. Stainless steel available on request.
- Finish:** RAL 9006.
- Pack quantity:** 1 piece with mounting accessories.

Item no.
OIKS01



Command handle, OICH

- Description:** Handle with ergonomic design, which enables easy handling of the panel, even with working gloves. Machining is required.
- Material:** Aluminium.
- Finish:** Anodised aluminium.
- Pack quantity:** 1 piece.

W	Item no.
250	OICH250
350	OICH350



122° connecting brackets, OIPC

- Description:** Rigid elements for connecting two OICP control panels. Machining is required.
- Material:** Aluminium.
- Finish:** RAL 9006.
- Pack quantity:** 2 pcs with mounting accessories.

Item no.
OIPC01



Spring nut set, OISN

- Description:** Spring nuts for fixing components easily, without any machining in the panel.
- Pack quantity:** 10 pieces.

Thread	Item no.
M4	OISN04
M5	OISN05

