

Human Machine Interface
Operating Housing
Control Enclosure | OICE

IP 55 | IK 10



Material:

Body and door made from 1.2 mm mild steel, front cover and handles made in aluminium.

Body:

Folded and seam welded, with maximum opening. The front is fitted with an aluminium front panel. Handling grips mounted to front, left and right edges.

Rear door:

Surface mounted with 130° opening. Concealed removable hinges with captive pin. Hinges can be mounted to allow left or right hand opening. Door profiles MMDP are available as an accessory.

Lock:

Customised lock with double grip for easy opening of the door. Double-bit 3 mm insert and 90° movement. Other inserts and locks are available as an accessory.

Protection:

IP 55 | IK 10.

Finish:

RAL 7035 structured powder coating.

Approvals:

CE and GOST.

Delivery:

Enclosure with aluminium front panel, rear door, plastic double-bit 3 mm key, and mounting accessories.

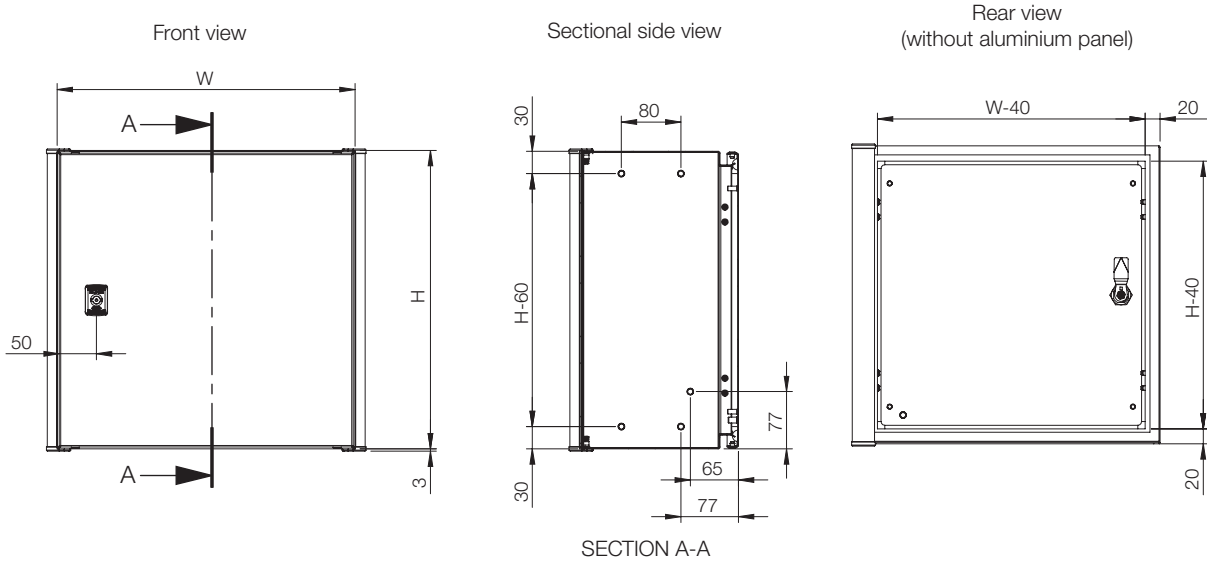


Dimensional table | OICE

IP 55 | IK 10

Enclosure dimensions			
H	W	D	Item no.
300	300	155	OICE303015
300	400	210	OICE304021
400	400	210	OICE404021
400	600	210	OICE406021
500	500	210	OICE505021
500	600	210	OICE506021

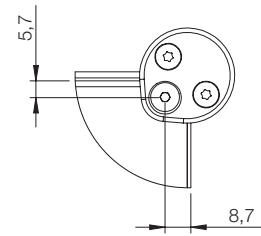
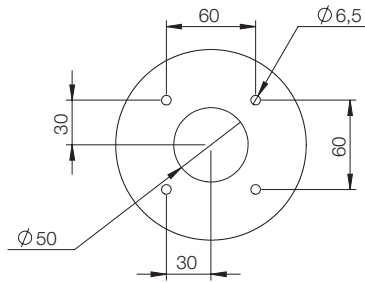
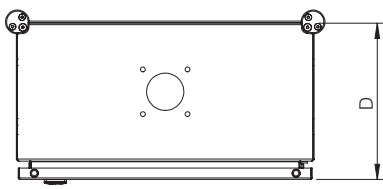




SECTION A-A

Top view

Detail view

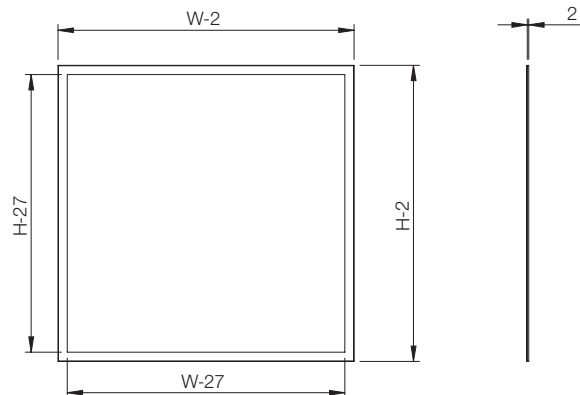
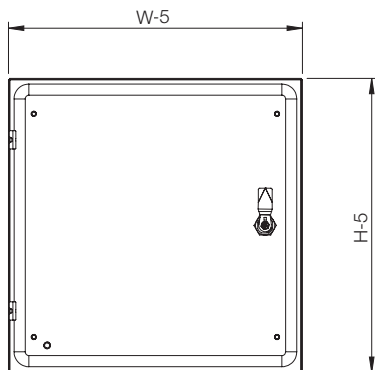


Scale 1 : 4

Scale 1 : 2

Inside door view

Aluminium panel



Human Machine Interface

Operating Housings

Accessories

Locks, ALL

Description: Alternative locks to replace the standard one.

Pack quantity: 1 piece.

Description	Type	Item no.
Chrome plated lock with cylinder	Ronis key n° M21323	ALL508
Polyamide lock with cylinder	Key 5333	ALL509
Eldon lock with cylinder	Ronis key n° C21323	ALL510



Inserts, ALI

Description: Inserts to replace the standard double-bit 3 mm insert in the standard polyamide lock.

Material: Polyamide.

Pack quantity: 1 piece.

Description	Item no.
Double-bit 3 mm	ALI503
Double-bit 5 mm	ALI505
Square 7mm	ALI523
Triangular 8mm	ALI524
Square 8 mm	ALI525
Slotted 2x4mm	ALI528



Door mounting profiles, MMDP

Description: To strengthen the door and provide further mounting possibilities. Mounted on the inside of the door onto M6 welded studs. Equipped with a 10 mm hole pattern.

Material: 1.2 mm galvanized steel.

Dimension: 15 x 14 mm.

Pack quantity: 1 pair with mounting accessories.

For enclosure		Item no.
H	400	MMDP040
H	500	MMDP050

