

Floor Standing Enclosures
Steel Range | Mild Steel
Compact, Single door | EKS

IP 66 | TYPE 4, 12, 13 | IK 10



01

Floor Standing Enclosures

1

Material:

Body and welded rear panel: 1.5 mm mild steel.
Door: 2 mm mild steel.
Mounting plate: 3 mm galvanized steel.
Bottom plates: 1 mm galvanized steel.

Body:

One piece enclosure body plus welded rear panel. Integrated depth profiles with hole pattern allowing mounting plate adjustment in depth.

Door:

Surface mounted with 4 hinges allowing left or right hand opening. Including door frame with 25 mm hole pattern and earthing studs.

Lock:

Espagnolette 4-point locking system. Does not interfere with the enclosure inner space. Standard double-bit lock with 3 mm insert. Can be exchanged for standard inserts or Euro-cylinder and a lift handle.

Bottom plates:

Consists of two pieces or three (D>300) pieces.

Mounting plate:

Double folded and slides into position. Adjustable in depth by steps of 25 mm. In the enclosure's delivery, mounting plate is attached on the outside of the enclosure packaging.

Earthing:

Can be accomplished by using ECF (Earthing connections for frame).

Finish:

RAL 7035 structure powder coating.

Protection:

Complies with IP 66 | TYPE 4, 12, 13 | IK 10.

Delivery:

One piece body with fitted door, bottom plates and mounting plate, including door earthing studs. The enclosure is delivered on a pallet identical to the enclosure width. Mounting plate is supplied on the outside of the enclosure packaging. All the packing material is recyclable.



Dimensional table | EKS

IP 66 | TYPE 4, 12, 13 | IK 10

With mounting plate

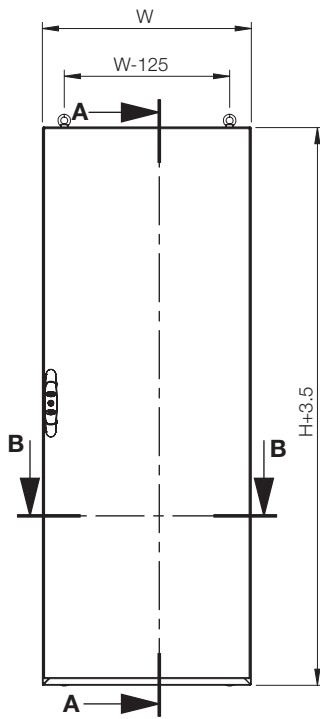
Enclosure dimensions			Mounting plate dimensions		Usable depth	Item no.
H	W	D	h	w	d	
1200	600	400	1094	494	355	EKS12064
1200	800	400	1094	694	355	EKS12084
1400	600	300	1294	494	255	EKS14063
1400	600	400	1294	494	355	EKS14064
1400	800	300	1294	694	255	EKS14083
1400	800	400	1294	694	355	EKS14084
1600	600	300	1494	494	255	EKS16063
1600	600	400	1494	494	355	EKS16064
1600	800	300	1494	694	255	EKS16083
1600	800	400	1494	694	355	EKS16084
1600	800	500	1494	694	455	EKS16085
1600	1000	400	1494	894	355	EKS16104
1800	600	400	1694	494	355	EKS18064
1800	800	400	1694	694	355	EKS18084
1800	800	500	1694	694	455	EKS18085
1800	1000	400	1694	894	355	EKS18104
2000	600	400	1894	494	355	EKS20064
2000	800	400	1894	694	355	EKS20084
2000	800	500	1894	694	455	EKS20085
2000	1000	400	1894	894	355	EKS20104

Without mounting plate

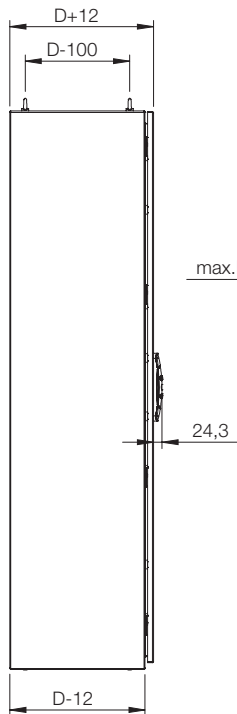
Enclosure dimensions			Item no.
H	W	D	
1200	600	400	EKS12064PE
1200	800	400	EKS12084PE
1400	600	300	EKS14063PE
1400	800	400	EKS14064PE
1400	800	300	EKS14083PE
1400	800	400	EKS14084PE
1600	600	300	EKS16063PE
1600	600	400	EKS16064PE
1600	800	300	EKS16083PE
1600	800	400	EKS16084PE
1600	800	500	EKS16085PE
1600	1000	400	EKS16104PE
1800	600	400	EKS18064PE
1800	800	400	EKS18084PE
1800	800	500	EKS18085PE
1800	1000	400	EKS18104PE
2000	600	400	EKS20064PE
2000	800	400	EKS20084PE
2000	800	500	EKS20085PE
2000	1000	400	EKS20104PE



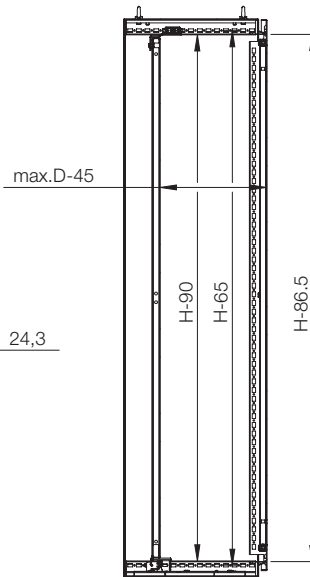
Front view



Side view

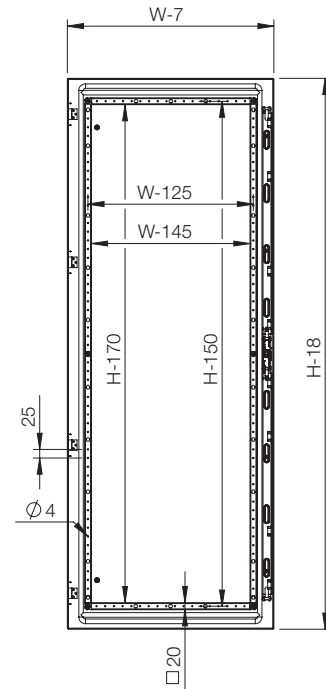


Sectional side view

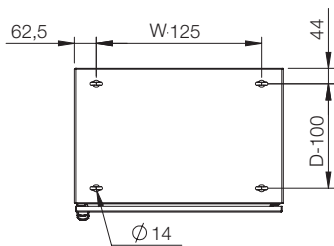


SECTION A-A

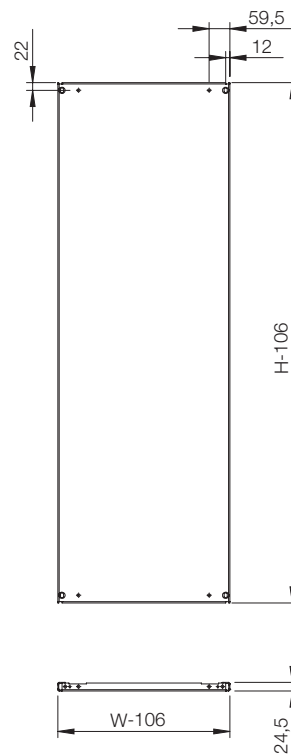
Inside door view



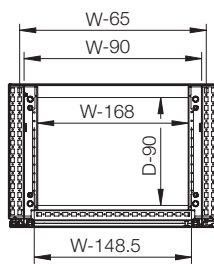
Top view



Mounting plate view

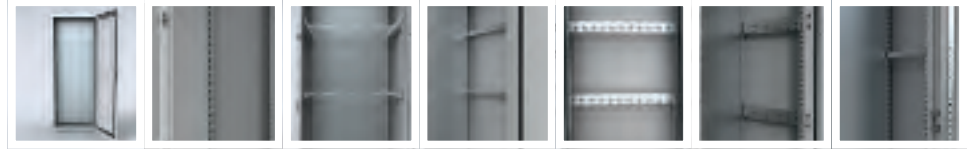


Sectional top view
(without bottom plates)



SECTION B-B

Accessories selection matrix I EKS



Enclosure	Mounting									
	H	W	D	Mounting plate	Mounting profile, in H	Mounting profile, in W	Mounting profile, in D	Click in profile, in W	Click in profile, in D	Side mounting bar
EKS12064	1200	600	400	MP1206	CLPF1200	CLPF600	CLPF400	CLPK600	CLPK400	CMB402
EKS12084	1200	800	400	MP1208	CLPF1200	CLPF800	CLPF400	CLPK800	CLPK400	CMB402
EKS14063	1400	600	300	MP1406	CLPF1400	CLPF600	–	CLPK600	–	–
EKS14064	1400	600	400	MP1406	CLPF1400	CLPF600	CLPF400	CLPK600	CLPK400	CMB402
EKS14083	1400	800	300	MP1408	CLPF1400	CLPF800	–	CLPK800	–	–
EKS14084	1400	800	400	MP1408	CLPF1400	CLPF800	CLPF400	CLPK800	CLPK400	CMB402
EKS16063	1600	600	300	MP1606	CLPF1600	CLPF600	–	CLPK600	–	–
EKS16064	1600	600	400	MP1606	CLPF1600	CLPF600	CLPF400	CLPK600	CLPK400	CMB402
EKS16083	1600	800	300	MP1608	CLPF1600	CLPF800	–	CLPK800	–	–
EKS16084	1600	800	400	MP1608	CLPF1600	CLPF800	CLPF400	CLPK800	CLPK400	CMB402
EKS16085	1600	800	500	MP1608	CLPF1600	CLPF800	CLPF500	CLPK800	CLPK500	CMB502
EKS16104	1600	1000	400	MP1610	CLPF1600	CLPF1000	CLPF400	CLPK1000	CLPK400	CMB402
EKS18064	1800	600	400	MP1806	CLPF1800	CLPF600	CLPF400	CLPK600	CLPK400	CMB402
EKS18084	1800	800	400	MP1808	CLPF1800	CLPF800	CLPF400	CLPK800	CLPK400	CMB402
EKS18085	1800	800	500	MP1808	CLPF1800	CLPF800	CLPF500	CLPK800	CLPK500	CMB502
EKS18104	1800	1000	400	MP1810	CLPF1800	CLPF1000	CLPF400	CLPK1000	CLPK400	CMB402
EKS20064	2000	600	400	MP2006	CLPF2000	CLPF600	CLPF400	CLPK600	CLPK400	CMB402
EKS20084	2000	800	400	MP2008	CLPF2000	CLPF800	CLPF400	CLPK800	CLPK400	CMB402
EKS20085	2000	800	500	MP2008	CLPF2000	CLPF800	CLPF500	CLPK800	CLPK500	CMB502
EKS20104	2000	1000	400	MP2010	CLPF2000	CLPF1000	CLPF400	CLPK1000	CLPK400	CMB402

* For compact (EKS / EKD / EKSS / EKDS) the CLPF in depth or a CLPK in width should be used in combination with CAK02 (Profile bracket for compact enclosures).

** For the range EKS / EKD, CLPFK should be used to replicate the rear profile

Accessories selection matrix I EKS

01

Floor Standing Enclosures



Enclosure	Mounting								
	H	W	D	Full height swing frame*	Swing frame middle mounted*	Swing frame side mounted*	Swing frame transversal support bars	Mounting profiles (19")**	Brackets for fixing 19" mounting profiles
EKS12064	1200	600	400	-	-	-	-	CIP24	CIB600
EKS12084	1200	800	400	-	-	-	-	CIP24	CIB800
EKS14063	1400	600	300	ESFC276	-	-	-	CIP29	CIB600
EKS14064	1400	600	400	ESFC276	-	-	-	CIP29	CIB600
EKS14083	1400	800	300	ESFC276	ESFM278	ESFS278	ESFB08	CIP29	CIB800
EKS14084	1400	800	400	ESFC276	ESFM278	ESFS278	ESFB08	CIP29	CIB800
EKS16063	1600	600	300	ESFC316	-	-	-	CIP33	CIB600
EKS16064	1600	600	400	ESFC316	-	-	-	CIP33	CIB600
EKS16083	1600	800	300	ESFC316	ESFM318	ESFS318	ESFB08	CIP33	CIB800
EKS16084	1600	800	400	ESFC316	ESFM318	ESFS318	ESFB08	CIP33	CIB800
EKS16085	1600	800	500	ESFC316	ESFM318	ESFS318	ESFB08	CIP33	CIB800
EKS16104	1600	1000	400	ESFC316	ESFM318	ESFS318	ESFB10		
EKS18064	1800	600	400	ESFC366	-	-	-	CIP38	CIB600
EKS18084	1800	800	400	ESFC366	ESFM368	ESFS368	ESFB08	CIP38	CIB800
EKS18085	1800	800	500	ESFC366	ESFM368	ESFS368	ESFB08	CIP38	CIB800
EKS18104	1800	1000	400	ESFC366	ESFM368	ESFS368	ESFB10	-	-
EKS20064	2000	600	400	ESFC406	-	-	-	CIP42	CIB600
EKS20084	2000	800	400	ESFC406	ESFM408	ESFS408	ESFB08	CIP42	CIB800
EKS20085	2000	800	500	ESFC406	ESFM408	ESFS408	ESFB08	CIP42	CIB800
EKS20104	2000	1000	400	ESFC406	ESFM408	ESFS408	ESFB10	-	-

*ESFB is required

**CIB, CID or CIWR are required

Accessories selection matrix I EKS



Enclosure				Fixing				
	H	W	D	Front/rear plinths (100 mm height)	Plinth side panels (100 mm height)	Front/rear plinths (200 mm height)	Plinth side panels (200 mm height)	Ventilated front / rear plinths (100 mm height)
EKS12064	1200	600	400	PF1060	PSK1040	PF2060	PSK2040	PV1060
EKS12084	1200	800	400	PF1080	PSK1040	PF2080	PSK2040	PV1080
EKS14063	1400	600	300	PF1060	PSK1030	PF2060	PSK2030	PV1060
EKS14064	1400	600	400	PF1060	PSK1040	PF2060	PSK2040	PV1060
EKS14083	1400	800	300	PF1080	PSK1030	PF2080	PSK2030	PV1080
EKS14084	1400	800	400	PF1080	PSK1040	PF2080	PSK2040	PV1080
EKS16063	1600	600	300	PF1060	PSK1030	PF2060	PSK2030	PV1060
EKS16064	1600	600	400	PF1060	PSK1040	PF2060	PSK2040	PV1060
EKS16083	1600	800	300	PF1080	PSK1030	PF2080	PSK2030	PV1080
EKS16084	1600	800	400	PF1080	PSK1040	PF2080	PSK2040	PV1080
EKS16085	1600	800	500	PF1080	PSK1050	PF2080	PSK2050	PV1080
EKS16104	1600	1000	400	PF1100	PSK1040	PF2100	PSK2040	PV1100
EKS18064	1800	600	400	PF1060	PSK1040	PF2060	PSK2040	PV1060
EKS18084	1800	800	400	PF1080	PSK1040	PF2080	PSK2040	PV1080
EKS18085	1800	800	500	PF1080	PSK1050	PF2080	PSK2050	PV1080
EKS18104	1800	1000	400	PF1100	PSK1040	PF2100	PSK2040	PV1100
EKS20064	2000	600	400	PF1060	PSK1040	PF2060	PSK2040	PV1060
EKS20084	2000	800	400	PF1080	PSK1040	PF2080	PSK2040	PV1080
EKS20085	2000	800	500	PF1080	PSK1050	PF2080	PSK2050	PV1080
EKS20104	2000	1000	400	PF1100	PSK1040	PF2100	PSK2040	PV1100

Accessories selection matrix I EKS

01

Floor Standing Enclosures



Enclosure	Doors			Cable			
	H	W	D	Glazed door*	Cable fixing bar (mounted below bottom plates)	Cable fixing bar (mounted above bottom plates)	Ventilated bottom plates
EKS12064	1200	600	400	-	CABP600	CAB600	CVB0604
EKS12084	1200	800	400	DNGK1208	CABP800	CAB800	CVB0804
EKS14063	1400	600	300	-	CABP600	CAB600	-
EKS14064	1400	600	400	-	CABP600	CAB600	CVB0604
EKS14083	1400	800	300	DNGK1408	CABP800	CAB800	-
EKS14084	1400	800	400	DNGK1408	CABP800	CAB800	CVB0804
EKS16063	1600	600	300	DNGK1606	CABP600	CAB600	-
EKS16064	1600	600	400	DNGK1606	CABP600	CAB600	CVB0604
EKS16083	1600	800	300	-	CABP800	CAB800	-
EKS16084	1600	800	400	-	CABP800	CAB800	CVB0804
EKS16085	1600	800	500	-	CABP800	CAB800	CVB0805
EKS16104	1600	1000	400	-	CABP1000	CAB1000	CVB1004
EKS18064	1800	600	400	DNGK1806	CABP600	CAB600	CVB0604
EKS18084	1800	800	400	DNGK1808	CABP800	CAB800	CVB0804
EKS18085	1800	800	500	DNGK1808	CABP800	CAB800	CVB0805
EKS18104	1800	1000	400	-	CABP1000	CAB1000	CVB1004
EKS20064	2000	600	400	DNGK2006	CABP600	CAB600	CVB0604
EKS20084	2000	800	400	DNGK2008	CABP800	CAB800	CVB0804
EKS20085	2000	800	500	DNGK2008	CABP800	CAB800	CVB0805
EKS20104	2000	1000	400	-	CABP1000	CAB1000	CVB1004

*DNMK is required for each additional door