

Floor Standing Enclosures
Steel Range | Stainless Steel
Compact, Double door | EKDS

IP 55 | TYPE 12, 13 | IK 10; IP 66 | TYPE 4X



01

Floor Standing Enclosures

1

Material:

AISI 304L pre-grained stainless steel / AISI 316L.
Body and removable rear panel: 1.5 mm.
Door: 2 mm.
Bottom Plates: 1.5 mm.
Mounting plate: 3 mm.

Body:

One piece enclosure body. Integrated depth profiles with hole pattern allowing mounting plate adjustable in depth.

Door:

Mounted with 4 hinges including door frame with 25 mm hole pattern and earthing studs. Standard doors can not be reversed.

Rear panel:

Fitted by M6 torx screws. Standard facilities for rear door mounting. Split rear panels in 1600 mm wide enclosures.

Lock:

External espagnolette 4-point locking system. Standard fitted double-bit 3 mm insert. It can be exchanged for standard range of inserts, Euro-cylinder and a lift handle.

Bottom plates:

One piece bottom plates with injected polyurethane gasket to ensure maximum sealing.

Earthing:

Door is equipped with separate welded earthing studs and earthing to the frame can be accomplished by using the ECF.

Mounting plate:

Double folded and slides into position. Adjustable in depth by steps of 25 mm. Mounting plate is delivered attached on the outside of the enclosure packaging. Fitted inside for 1600 mm wide enclosures. For 1600 mm wide, a filler plate is also included.

Finish:

240s pre-grained stainless steel (0.5 microns average).

Protection:

Double door version, complies with IP 55 | TYPE 12, 13 | IK 10. Individual doors with welded vertical divider, complies with IP 66 | TYPE 4X, 12 and 13 | IK 10.

Delivery:

One piece body with fitted door and rear panel, bottom plates and mounting plate, including door earthing studs. Delivered on a pallet which is identical to the width of the enclosure. Mounting plate is attached to the outside of the enclosure packaging. All the packing material is recyclable.



Dimensional table | EKDS

IP 55 | TYPE 12, 13 | IK 10; IP 66 | TYPE 4X

Double door version | IP 55 | TYPE 12, 13 | IK 10

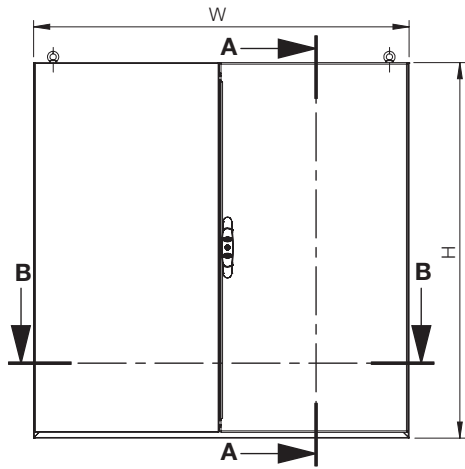
Enclosure dimensions			Mounting plate dimensions		Item no.
H	W	D	h	w	
1200	1200	400	1094	1094	EKDS12124
1200	1200	400	1094	1094	EKDS12124-316
1600	1200	400	1494	1094	EKDS16124
1600	1200	400	1494	1094	EKDS16124-316
1800	1200	400	1694	1094	EKDS18124
1800	1200	400	1694	1094	EKDS18124-316
1800	1600	400	1694	1494	EKDS18164
1800	1600	400	1694	1494	EKDS18164-316
2000	1200	400	1894	1094	EKDS20124
2000	1200	400	1894	1094	EKDS20124-316
2000	1600	400	1894	1494	EKDS20164
2000	1600	400	1894	1494	EKDS20164-316

Individual doors with vertical divider version | IP 66 / TYPE 4X, 12, 13 | IK 10

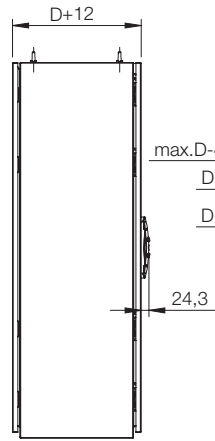
Enclosure dimension			Cover plate dimension		Item no.
H	W	D	h	w	
1200	1200	400	1094	1094	EKDS12124-4X
1600	1200	400	1494	1094	EKDS16124-4X
1800	1200	400	1694	1094	EKDS18124-4X
1800	1600	400	1694	1494	EKDS18164-4X
2000	1200	400	1894	1094	EKDS20124-4X
2000	1600	400	1894	1494	EKDS20164-4X



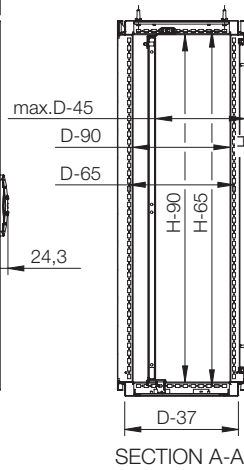
Front view



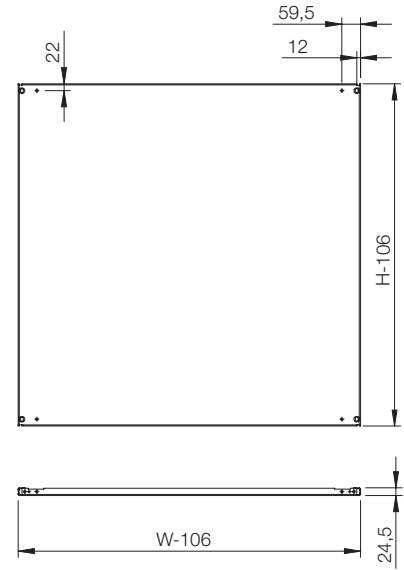
Side view



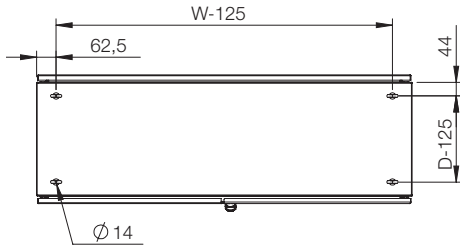
Sectional side view



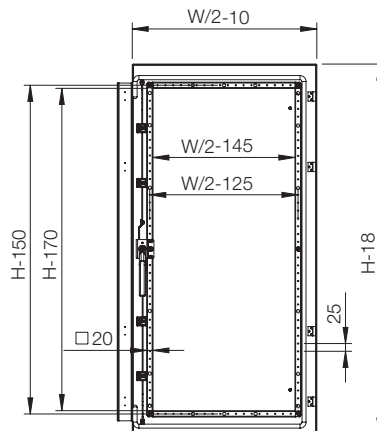
Mounting plate view



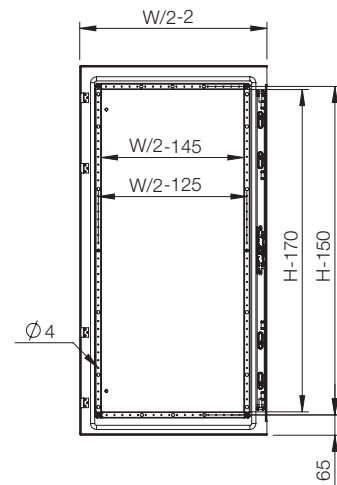
Top view



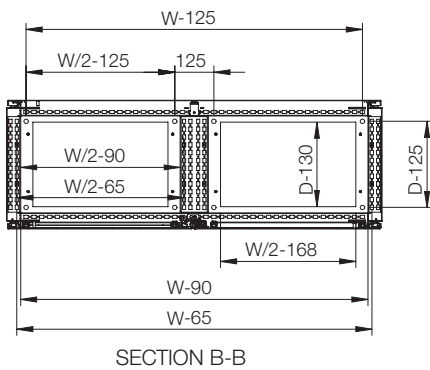
Inside left door view



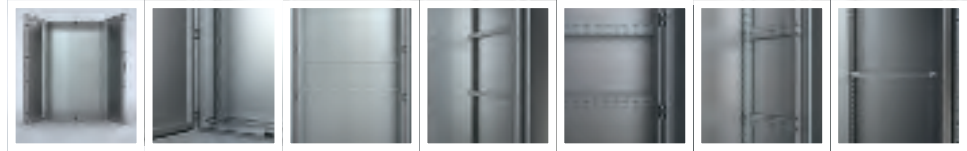
Inside right door view



Sectional top view (without bottom plates)



Accessories selection matrix I EKDS



Enclosure	Mounting									
	H	W	D	Mounting plate	Mounting profile, in H	Mounting profile, in W	Mounting profile, in D	Click in profile, in W	Click in profile, in D	Side mounting bar
EKDS12124	1200	1200	400	MP1212	CLPF1200	CLPF1200	CLPF400	CLPK1200	CLPK400	CMB402
EKDS16124	1600	1200	400	MP1612	CLPF1600	CLPF1200	CLPF400	CLPK1200	CLPK400	CMB402
EKDS18124	1800	1200	400	MP1812	CLPF1800	CLPF1200	CLPF400	CLPK1200	CLPK400	CMB402
EKDS18164	1800	1600	400	MP1816	CLPF1800	CLPF1600	CLPF400	-	CLPK400	CMB402
EKDS20124	2000	1200	400	MP2012	CLPF2000	CLPF1200	CLPF400	CLPK1200	CLPK400	CMB402
EKDS20164	2000	1600	400	MP2016	CLPF2000	CLPF1600	CLPF400	-	CLPK400	CMB402

* For compact (EKS / EKD / EKSS / EKDS) the CLPF in depth or a CLPK in width should be used in combination with CAK02 (Profile bracket).
 ** For the range (EKSS / EKDS), CLPFK should be used to replicate the rear profile.



Enclosure	Fixing						
	H	W	D	Front/rear plinths (100 mm height)	Plinth side panels (100 mm height)	Front/rear plinths (200 mm height)	Plinth side panels (200 mm height)
EKDS12124	1200	1200	400	PFS1120	PSS1040	PFS2120	PSS2040
EKDS16124	1600	1200	400	PFS1120	PSS1040	PFS2120	PSS2040
EKDS18124	1800	1200	400	PFS1120	PSS1040	PFS2120	PSS2040
EKDS18164	1800	1600	400	2 x PFS1080	PSS1040	2 x PFS2080	PSS2040
EKDS20124	2000	1200	400	PFS1120	PSS1040	PFS2120	PSS2040
EKDS20164	2000	1600	400	2 x PFS1080	PSS1040	2 x PFS2080	PSS2040



Enclosure	Doors					Cable
	H	W	D	Plain door, left*	Plain door, right*	Cable fixing bar (mounted above bottom plates)
EKDS12124	1200	1200	400	DNSS1212L	DNSS1212R	CAB1200 / 2 x CAB600
EKDS16124	1600	1200	400	DNSS1612L	DNSS1612R	CAB1200 / 2 x CAB600
EKDS18124	1800	1200	400	DNSS1812L	DNSS1812R	CAB1200 / 2 x CAB600
EKDS18164	1800	1600	400	DNSS1816L	DNSS1816R	-
EKDS20124	2000	1200	400	DNSS2012L	DNSS2012R	CAB1200 / 2 x CAB600
EKDS20164	2000	1600	400	DNSS2016L	DNSS2016R	-

*DNMKS is required for additional door